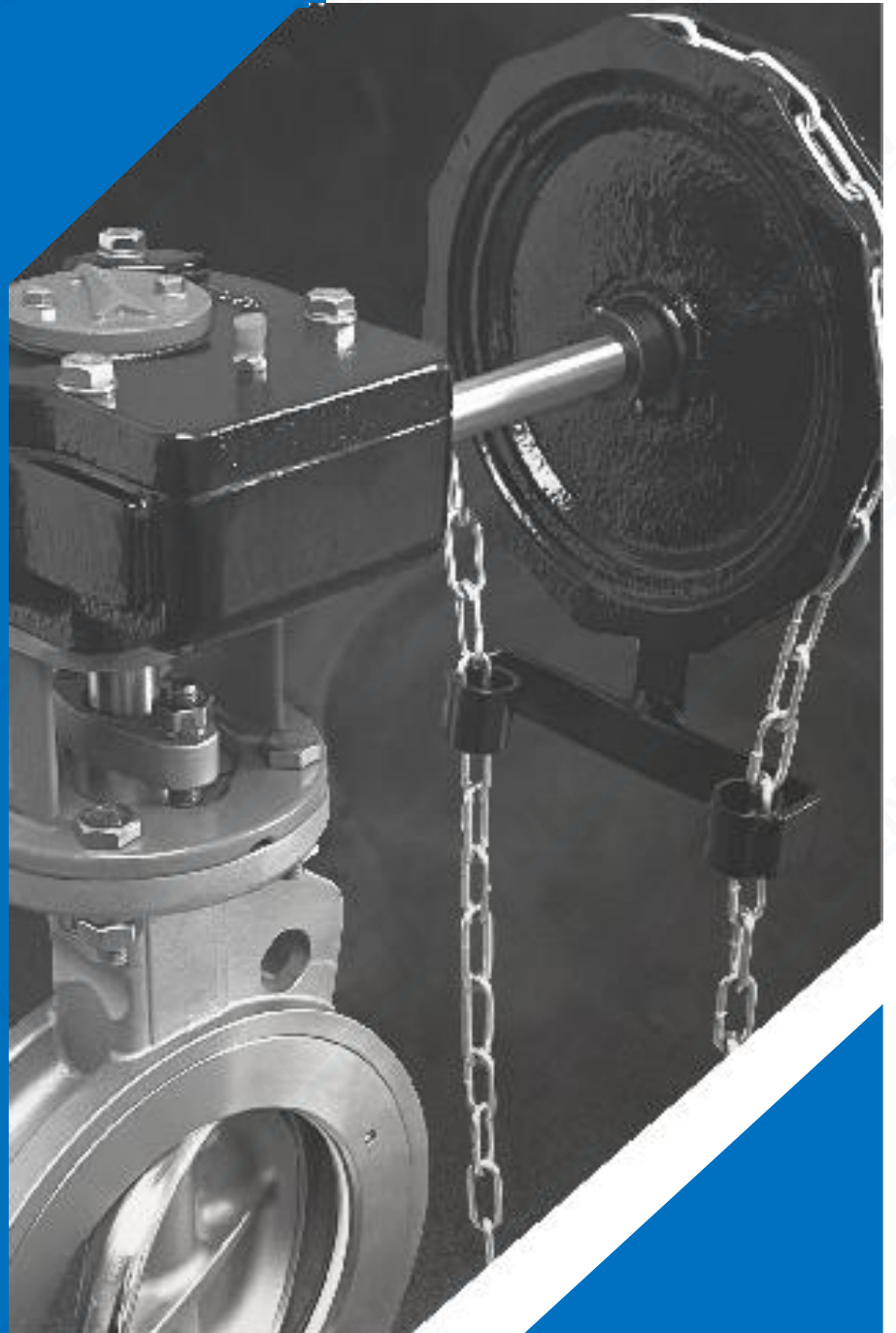


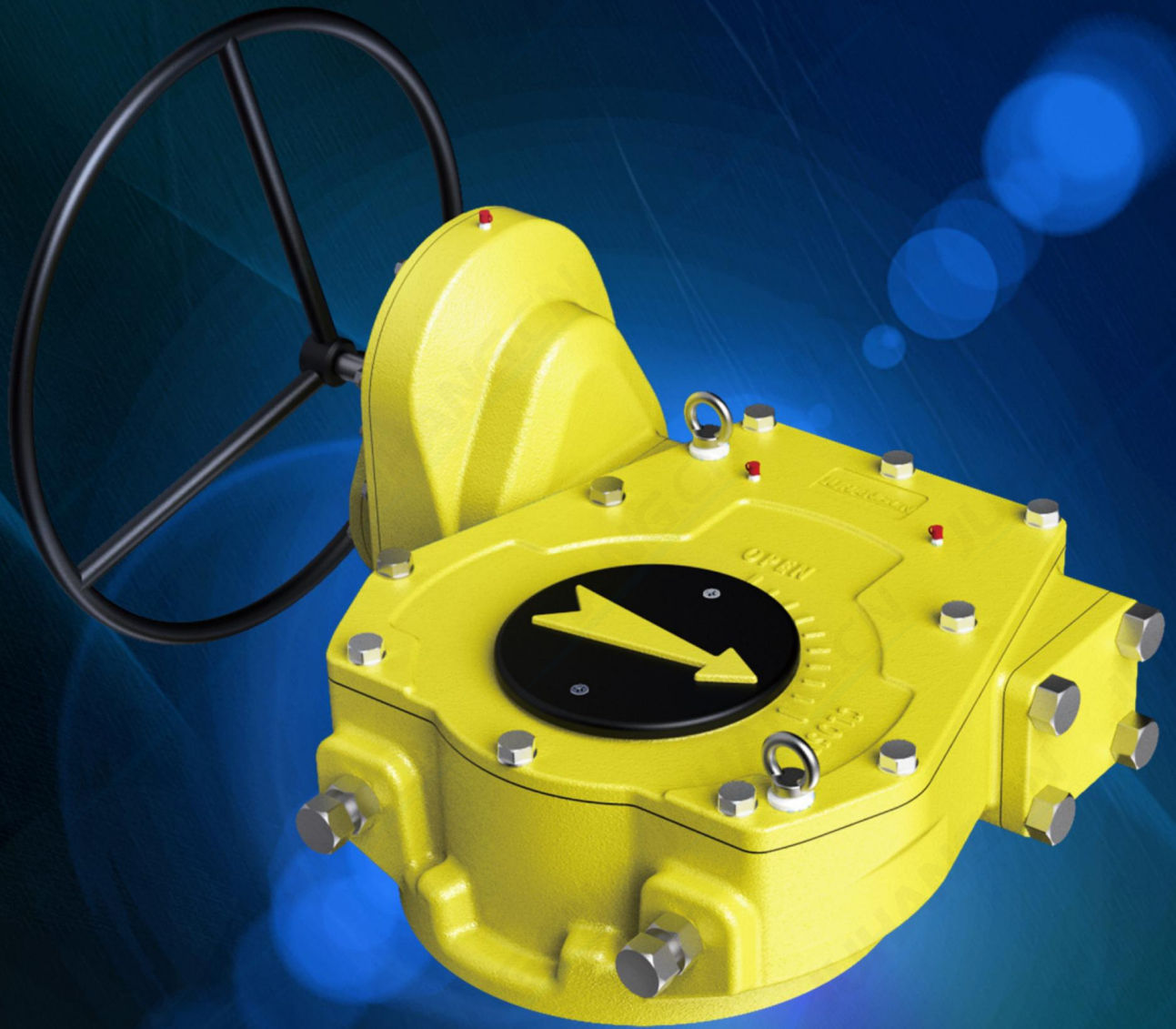
JUHANG.CN

MANUAL VALVE ACTUATORS

**FA/FS/JHM
SERIES**



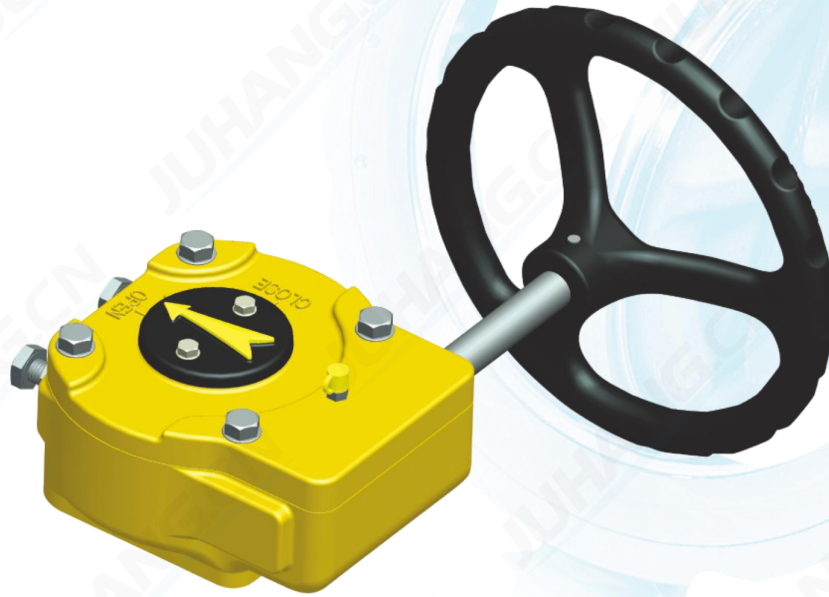
PROFESSIONAL CASTING QUALITY SERVICE TO CREATE VALUE



F-SERIES GEAR OPERATOR FOR
QUARTER-TURN VALVES

ISO5211

Product Description



F-Series Gear Operator For Quarter-turn Valves

The F-Series are 90° rotary gear operator with a rock-solid construction, suitable for ball valves, butterfly valves, plug valves and as well as dampers. The housing is precision casted, novel in style and beautiful in appearance. The gear actuator has a good self-locking function and high performance thrust bearings inside, which makes the transmission more flexible and high efficiency. The gears comply to the ISO 5211 international standard and are IP67 standard with higher grade IP68 for option. They are widely used in chemical, industrial, power plant, waterworks, HVAC equipment and most industrial fields.

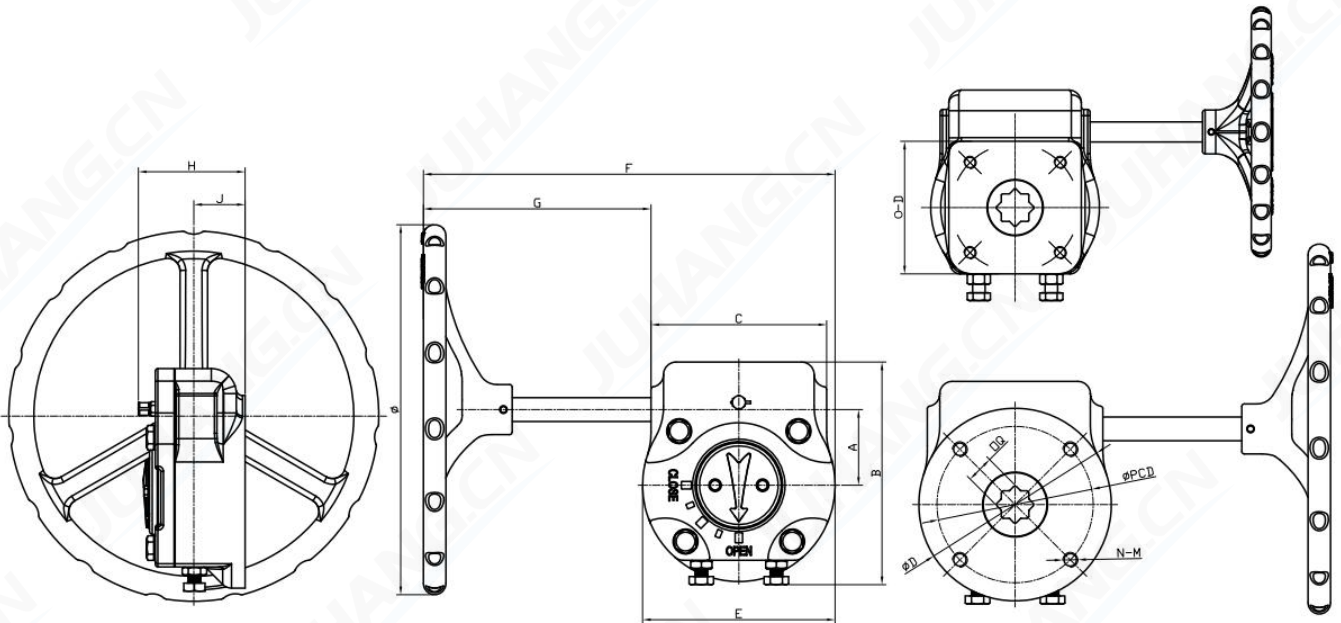
Product Features:

- Cast iron housing(D.I.for option)
- Finely sealed with high-quality grease abundantly applied inside
- Worm shaft can be made of stainless steel
- Rock-solid construction
- Real thrust bearings ensure the smooth operation
- Stroke: 0°-90° (additional +/-5°)

Working Environment Instructions:

- Ingress protection lever: IP67 (IP68 for option)
- Operating environment: -20°C ~ +120°C
- Optional special coatings for extreme working and marine environments

FS Series Quarter-turn Gear Operator



Dimensions(mm):

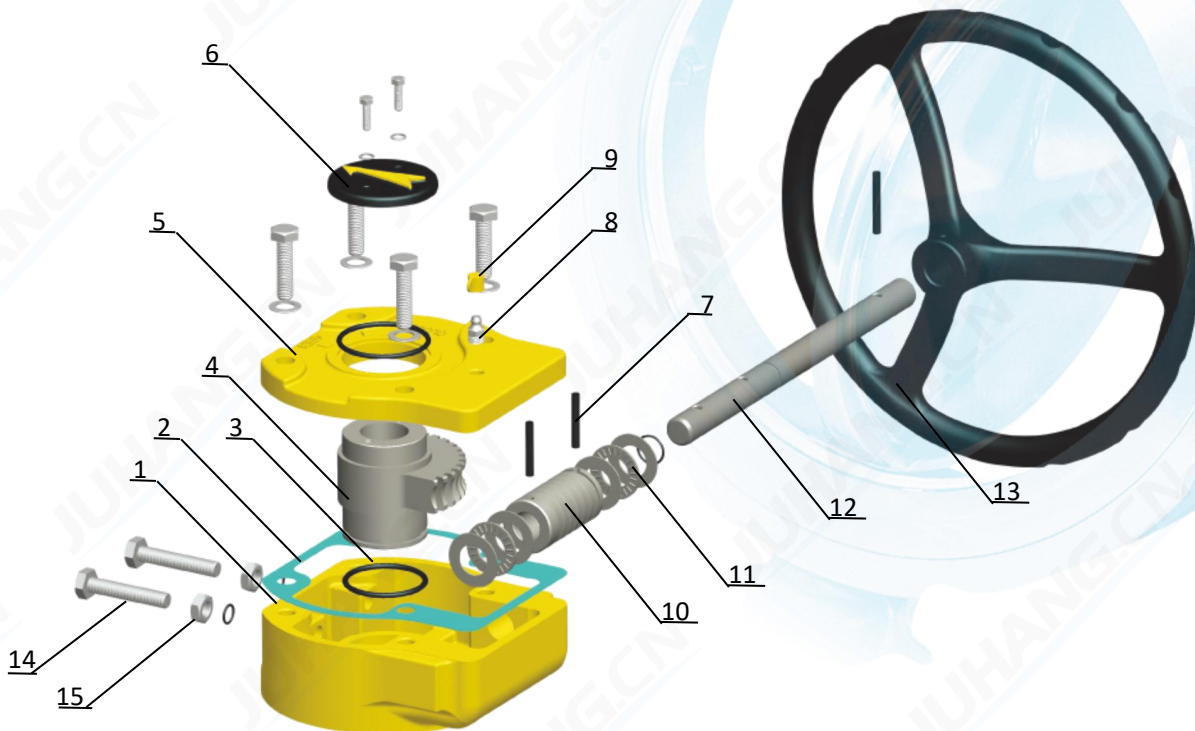
Model	A	B	C	E	F	G	H	J	φ
FS07	42	127	86	95	218	122	70	35	150
FS10	60	168	120	135	271	145	84	41	200
FS12	60	178	140	155	330	196	85	41	300
FS14	78.5	228	160	190	426	251	109	51	350

Specifications:

Model	□ Q (mm)	PCD	Mounting	O-D (mm)	Flange ISO5211	Ratio	Input Torque Max(N.m)	Out Torque Max(N.m)	Weight (Kg)
FS07	□ 14	70	4-M8	70	F07	40:1	25	255	3.4
FS10	□ 22	102	4-M10	106	F10	36:1	60	570	7.5
FS12	□ 27	125	4-M12	150	F12	36:1	90	930	10
FS14	□ 36	140	4-M16	180	F14	50:1	110	1400	18.3

COMMENTS: The above torque is the maximum designed value.

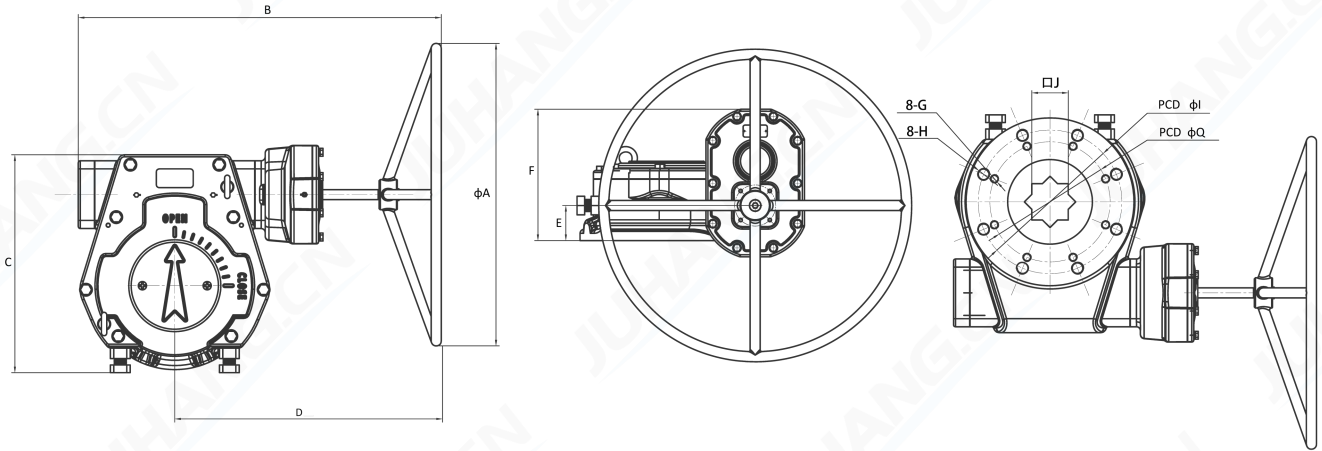
FS Series Quarter-turn Gear Operator



Materialist:

Number	Part Name	Material
1	Housing	Cast Iron
2	Gasket	Asbestos-free Sealing Material
3	O-Ring	NBR
4	Worm Wheel	Ductile Iron
5	Cover Plate	Cast Iron
6	Position Indicator	Cast Iron
7	Pin	Spring Steel
8	Grease Nipple	Stainless Steel
9	Nipple Cap	Engineering Plastics
10	Worm	Alloy Steel
11	Thrust Needle Roller Bearing	Bearing Steel
12	Worm Shaft	Alloy Steel or Stainless Steel
13	Handwheel	Cast Iron
14	Limit Screw	Cast Iron or Stainless Steel
15	Limit Nut	Cast Iron or Stainless Steel

FA Series Quarter-turn Gear Operator



Dimensions(mm):

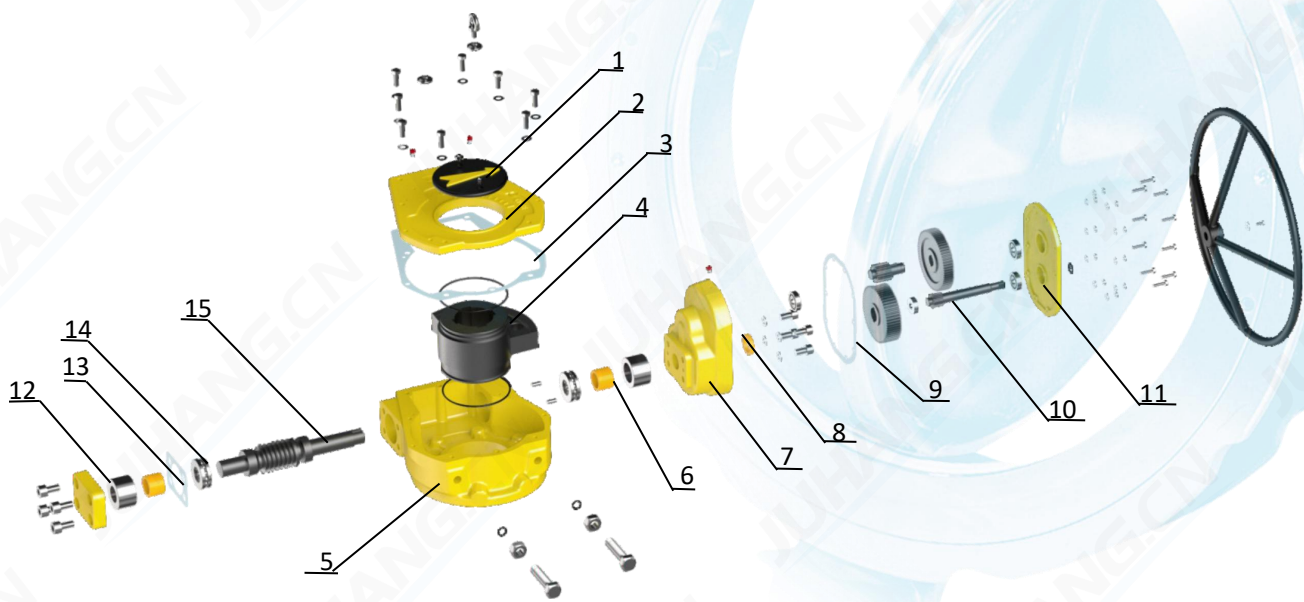
Model	φ A	B	C	D	E	F	G	H	I	Q	□ J
FA16	400	450	273	326	55	119	4-M20	/	/	F16	□ 46
FA16B	400	435	273	310	55	119	4-M20	/	/	F16	□ 46
FA25B	400	548	380	370	145	138	8-M16	/	/	F25	□ 55
FA30A	600	738.6	423.5	540.9	94	250	8-M16	8-M20	F30	F25	□ 75
FA30B	750	801.7	423.5	604	94	250	8-M16	8-M20	F30	F25	□ 75
FA35A	600	835.9	540	596.9	87	317	8-M20	8-M30	F35	F30	Φ 120- φ 150
FA35B	750	899	540	660	87	317	8-M20	8-M30	F35	F30	Φ 120- φ 150
FA40A	750	1028	602.5	733	207	349	8-M36	/	/	F40	Φ 100- φ 140
FA40B	800	1095	662	785	214	425	8-M36	/	/	F40	Φ 120- φ 160

Specifications:

Model	Flange Outer Diameter (mm)	Flange ISO5211	Ratio	Input Torque Max(N.m)	Out Torque Max(N.m)	Weight (Kg)
FA16	210	F16	70:1	150	2600	27
FA16B	210	F16	140:1	150	5200	33
FA25B	300	F25	207:1	155	8000	65
FA30A	355	F25&F30	495:1	147	16000	105
FA30B	355	F25&F30	495:1	180	21000	110
FA35A	416	F30&F35	1200:1	135	32000	220
FA35B	416	F30&F35	1200:1	165	40000	240
FA40A	476	F40	1530:1	195	54000	340
FA40B	476	F40	2448:1	195	85000	410

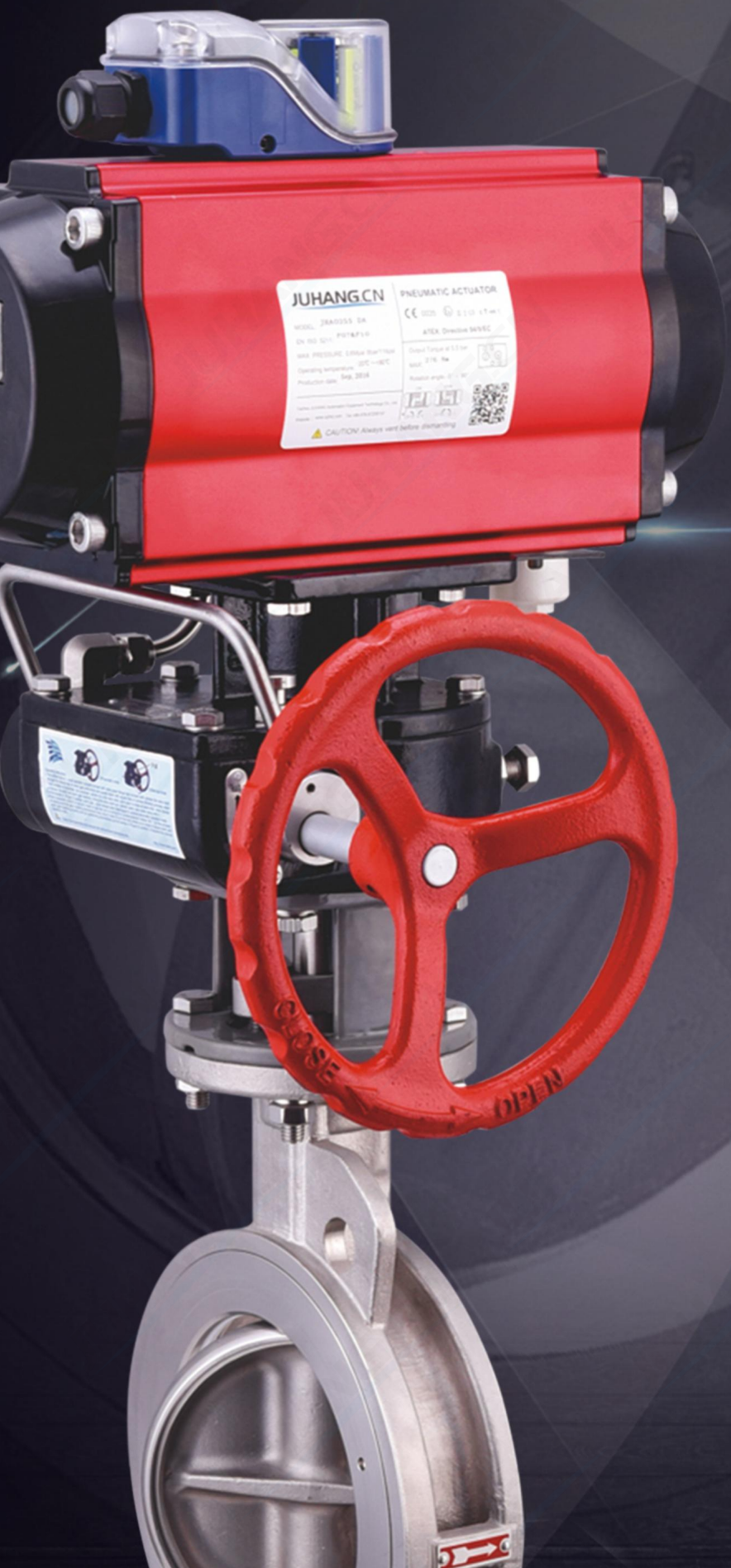
COMMENTS: The above torque is the maximum designed value.

FA Series Quarter-turn Gear Operator



Materialist:

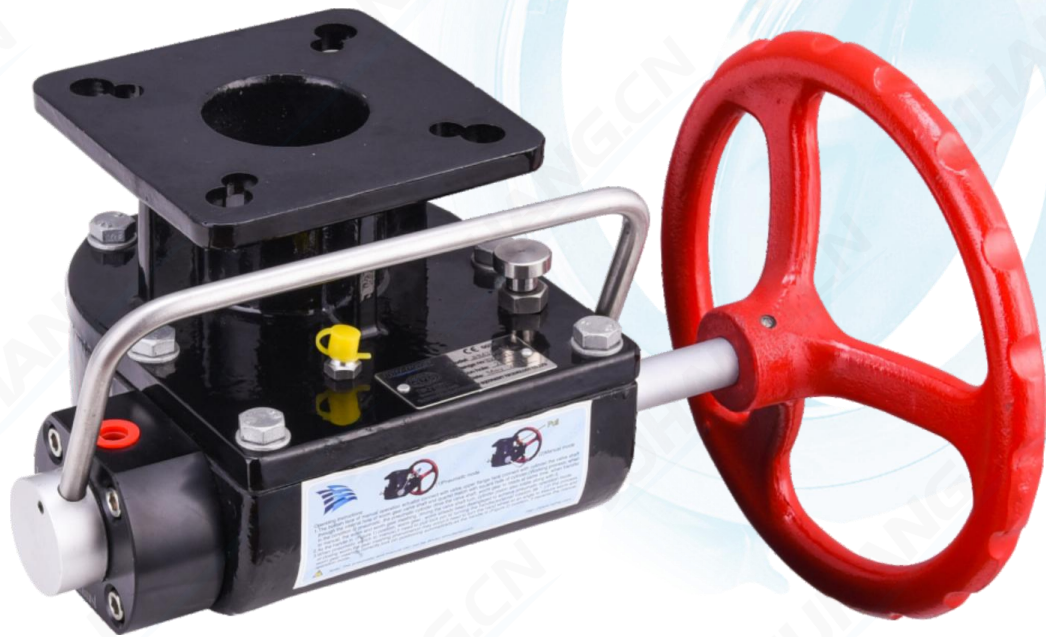
Number	Part Name	Material
1	Position Indicator	Cast Iron
2	Cover Plate	Ductile Iron
3	Gasket	Asbestos-free Sealing Material
4	Worm Wheel	Ductile Iron
5	Main Housing	Ductile Iron
6	Bearing	Brass Alloy
7	Side Housing	Ductile Iron
8	Bushing	Brass Alloy
9	Gasket	Asbestos-free Sealing Material
10	Shaft	Alloy Steel or Stainless Steel
11	Side Housing Cover	Ductile Iron
12	Thrust Bushing	Alloy Steel
13	Gasket	Asbestos-free Sealing Material
14	Cylindrical Roller Bearing	Spring Steel
15	Worm	Alloy Steel



JUHANG CN PNEUMATIC ACTUATOR
MODEL: JH4055A-04
CN: HQ 3211 P01&P2-0
MAX. PRESSURE: 2.5MPa Max/35bar
Operating Temperature: -20°C ~+60°C
Production date: Sep. 2014
CE 0028
ATEX Division MWEK
Rated Torque: 4.5 Nm
Max. 870 Nm
Reset angle: 180°
CAUTION: Always vent before dismantling

PROFESSIONALISM CASTING JUHANG TECHNOLOGY CREATES THE FUTURE

Product Description



JHM Series Declutchable Manual Override

JHM series declutchable manual override is “Sandwich” mounted between a rack and pinion pneumatic quarter-turn actuator and a ball, butterfly, plug valves or dampers. This rugged device allows for manual operation during installation or system testing or in the event of an air supply failure. And the output torques cover a broad range.

JHM series can be equipped with our patented safety valve which cuts off the air supply and vents the remaining air out of the actuator chamber automatically, making the piping systems running more safely and reliably. JHM series comply to ISO5211 standard.

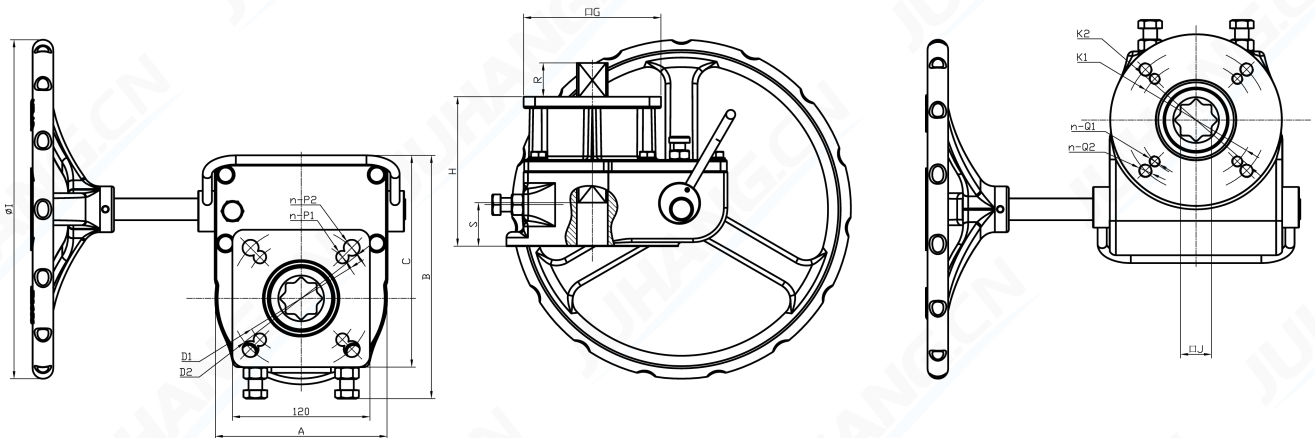
Product Features:

- Finely sealed with high-quality grease abundantly applied inside, long service life
- Worm shaft can be made of stainless steel
- Ductile iron housing, rock-solid construction
- Stroke: 0°-90° (additional +/-5°)
- Easy and convenient switching between pneumatic and manual operation modes
- Additional accessory safety valves can be chosen

Working Environment Instructions:

- Ingress protection lever: IP67 (IP68 for option)
- Operating environment: Standard temp(-20℃ to +80℃);High temp(-20℃to+120℃);Low temp(-40℃to+80℃)
- Optional special coatings for extreme working and marine environments

JHM Series Declutchable Manual Override



Specifications(mm):

Model	□ J	K1	K2	n-Q1	n-Q2	D1	D2	n-P1	n-P2	R	S
JHM40	17	Φ 50	Φ 70	4-M6	4-M8	Φ 50	Φ 70	4-Φ 7	4-Φ 9	/	26
JHM28	22	Φ 70	/	4-M8	/	Φ 70	Φ 102	4-Φ 9	4-Φ 11	/	35
JHM32	22	Φ 70	Φ 102	4-M8	4-M10	Φ 102	Φ 125	4-Φ 11	4-Φ 14	/	36
JHM50	27	Φ 102	Φ 125	4-M10	4-M12	Φ 102	Φ 125	4-Φ 11	4-Φ 14	/	38
JHM62	36	Φ 140	/	4-M16	/	Φ 140	/	4-Φ 18	4-Φ 22	/	40
JHM70	46	Φ 165	/	4-M20	/	Φ 140	Φ 165	4-Φ 18	4-Φ 22	/	50
JHM85	46	Φ 165	/	4-M20	/	Φ 165	/	4-Φ 22	/	43	79
JHM210	55	Φ 165	Φ 254	4-M20	4-M16	Φ 165	Φ 254	4-Φ 22	8-Φ 18	44	102
JHM495	75	Φ 254	Φ 298	8-M16	8-M20	Φ 254	/	8-Φ 22	/	59	92

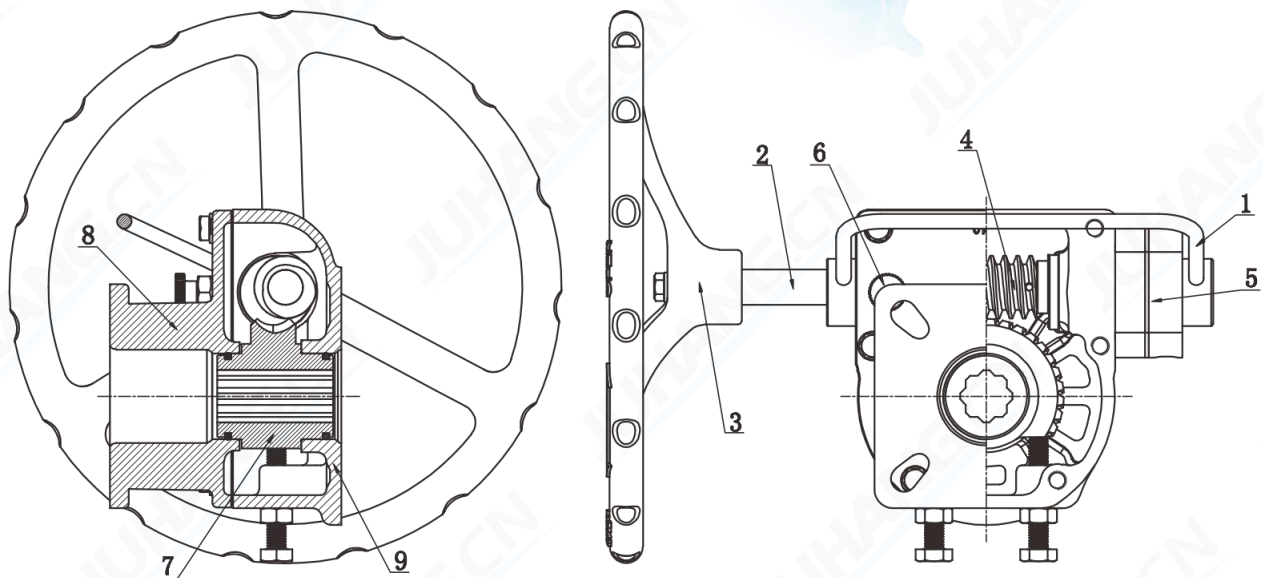
Dimensions(mm):

Model	A	B	C	E	F	□ G	H	Φ I
JHM40	85	129	116	146	55	□ 70	98	150
JHM28	112	173	146	187	77	□ 100	114	200
JHM32	138	193	160	193	85	□ 120	124	200
JHM50	150	213	185	235	90	□ 120	131	300
JHM62	175	252	219	291	100	□ 160	134	350
JHM70	247	321	286	324	111	□ 160	189	400
JHM85	292	315	300	332	146	□ 200	196	600
JHM210	306	375	409	494	186	Φ 300	253	600
JHM495	355	410	451	497	203	Φ 352	271	600

JHM Series Declutchable Manual Override

Model	Ratio	Input Torque Max(N.m)	Output Torque Max(N.m)	Valve Interface	Actuator Interface	Weight(Kg)
JHM40	40:1	15	155	F05&F07	F05&F07	3.7
JHM28	28:1	50	350	F07	F07&F10	8.2
JHM32	32:1	80	550	F07&F10	F10&F12	9.9
JHM50	50:1	95	1200	F10&F12	F10&F12	13.3
JHM62	62:1	130	2100	F14	F14	18.7
JHM70	70:1	150	2800	F16	F14&F16	33.8
JHM85	85:1	190	4000	F16	F16	44.4
JHM210	210:1	160	8000	F16&F25	F16&F25	91.0
JHM495	495:1	160	19000	F25&F30	F25	140.0

COMMENTS: The above torque is the maximum designed value.



Materialist:

Number	Part Name	Material
1	Handle	Stainless Steel
2	Worm shaft	Carbon Steel or Stainless Steel
3	Handwheel	Ductile Iron
4	Worm	Carbon Steel
5	Safety Valve	Aluminum Alloy
6	Position Lock Pin	Stainless Steel
7	Worm Wheel	Ductile Iron
8	Top Cover Plate	Ductile Iron
9	Housing	Ductile Iron

Taizhou Juhang Automation Equipment Technology Co., Ltd

Puqing industrial areas,damaiyu avenue,Yuhuan city,
Taizhou,Zhejiang province,China.

Tel:+86-576-87208157 Fax:+86-576-87208537

E-mail:juhang@juhangkj.com.cn Website:www.tzjhkj.com

Edition:2024/05 Doc No.:QR/JS-07-02

