

**Taizhou Juhang Automation Equipment Technology Co., Ltd**

Puqing industrial areas,damaiyu avenue,Yuhuan city,  
Taizhou,Zhejiang province,China.

Tel:+86-576-87208157 Fax:+86-576-87208537

E-mail:juhang@juhangkj.com.cn Website:www.tzjhkj.com

Edition:2024/06 Doc No.:QR/JS-07-06





 CONTENTS

**Content** ..... 01

**Ordering Code** ..... 02

**Parts and Material** ..... 03

**Output torque:**

Output torque of Double acting Type ..... 05

Output torque of Single acting Type ..... 06

**Dimensions:**

Dimensions for JHD2CSF08YDA ..... 08

Dimensions for JHD2CSF12YDA to JHD2CSF25YDA ..... 09

Dimensions for JHD2CSF28YDA to JHD2CSF32YDA ..... 10

Dimensions for JHD2CSF36YDA to JHD2CSF52YDA ..... 11

Dimensions for JHD2CSF12YS to JHD2CSF25YS ..... 12

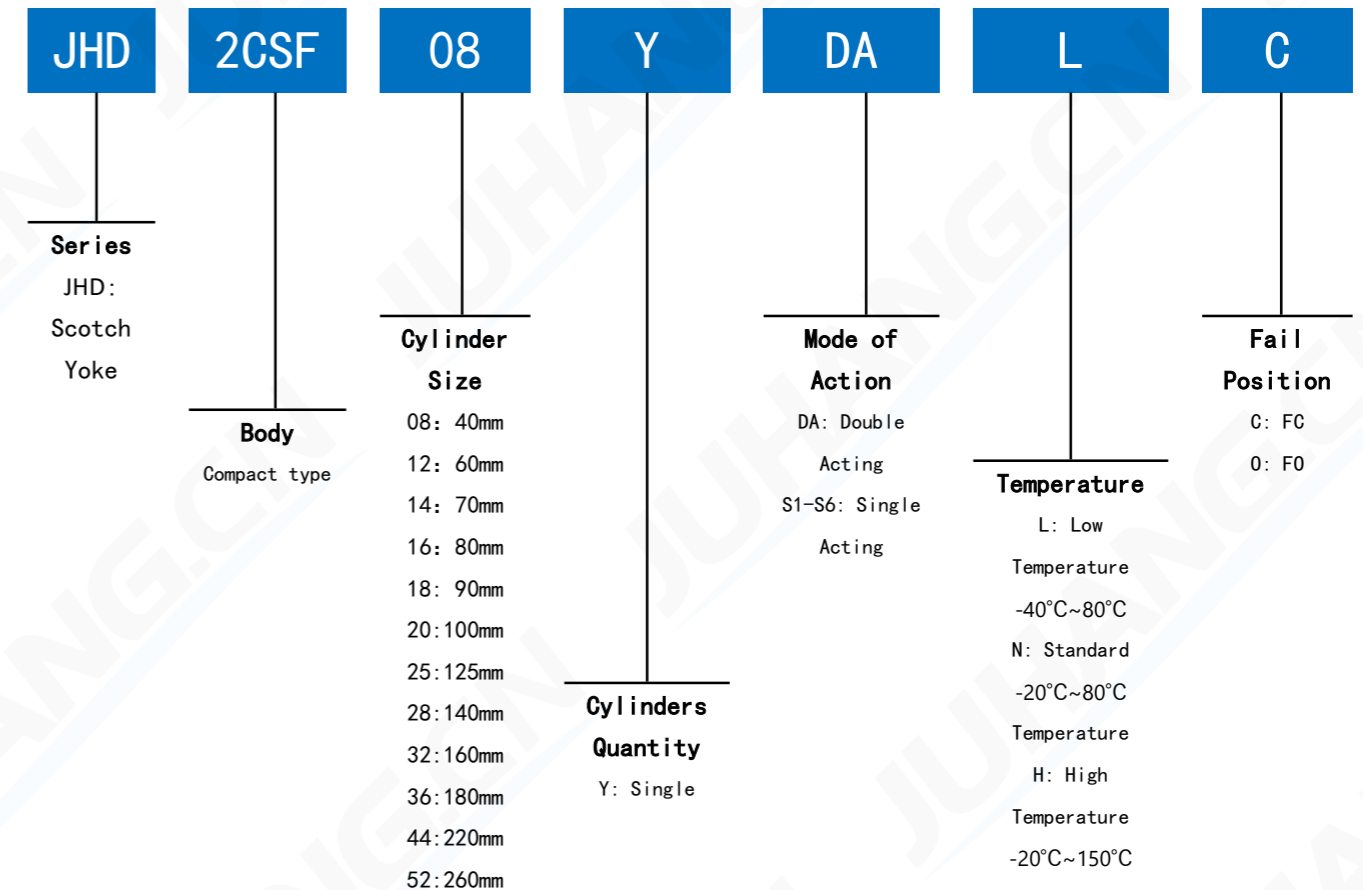
Dimensions for JHD2CSF28YS to JHD2CSF32YS ..... 13

Dimensions for JHD2CSF36YS to JHD2CSF52YS ..... 14

**Operating principle** ..... 15

**Compact scotch yoke actuator image**..... 16

 ORDERING CODE



**PARTS & MATERIAL**

**1.Cylinder**

Aluminium Alloy

**2.Piston**

Aluminium Alloy

**3.Shaft**

Alloy Steel

**4.Yoke**

Alloy Steel

**5. Piston Pin**

Alloy Steel

**6. Yoke Pin**

Alloy Steel

**7. Bearing**

Alloy Steel

**8. Upper Circlip**

Stainless Steel

**9. Lower Circlip**

Stainless Steel

**10. Upper Washer**

Engineering Plastics

**11. Lower Washer**

Engineering Plastics

**12. Upper Shaft O-ring**

NBR

**13. Lower Shaft O-ring**

NBR

**14. Upper Shaft Bearing**

POM/Graphite copper bushing

**15. Lower Shaft Bearing**

POM/Graphite copper bushing

**16. Upper Piston Bearing**

Engineering Plastics

**17. Lower Piston Bearing**

Engineering Plastics

**18. Piston Ring**

Engineering Plastics

**19. Piston O-Ring**

NBR

**20. Piston Support Chip**

Engineering Plastics

**21. Connection Plate O-Ring**

NBR

**22. Connection Plate**

Aluminium Alloy

**23. Plate socket screw**

Stainless Steel

**24. Cover socket screw**

Stainless Steel

**25. Nut O-ring**

NBR

**26. Screws**

Stainless Steel

**27.End cover seal ring**

NBR

**101.Cover**

Aluminium Alloy

**102.Spring**

Spring Steels

**103.Low Spring Washer**

Aluminium Alloy

**104.Spring Shaft**

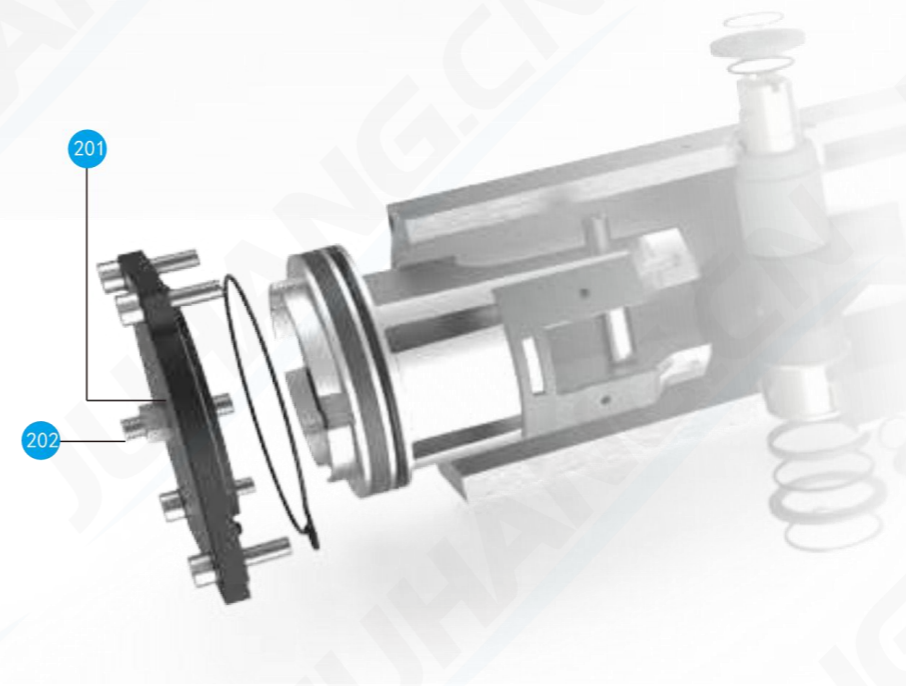
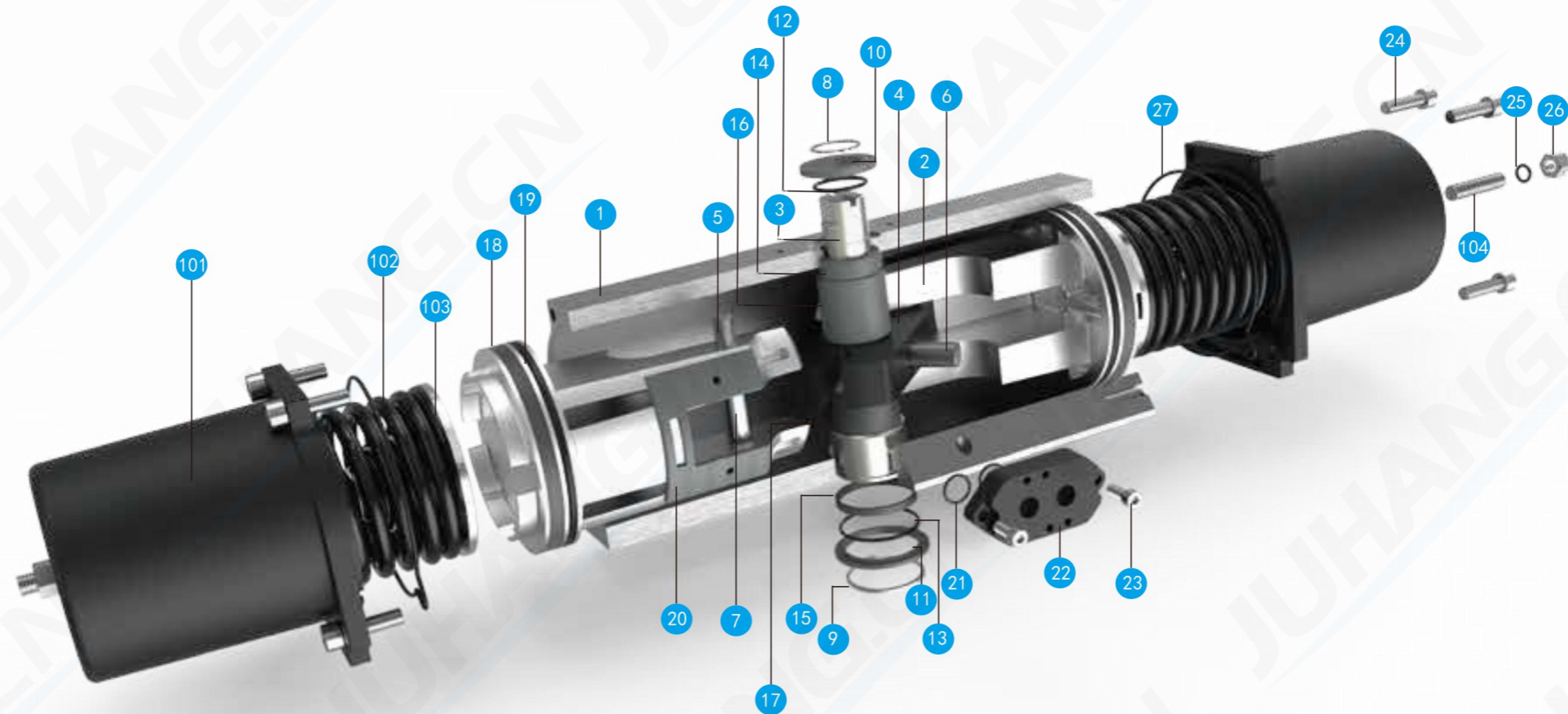
Stainless Steel

**201.Double Acting end cover**

Aluminium Alloy

**202.Set screw**

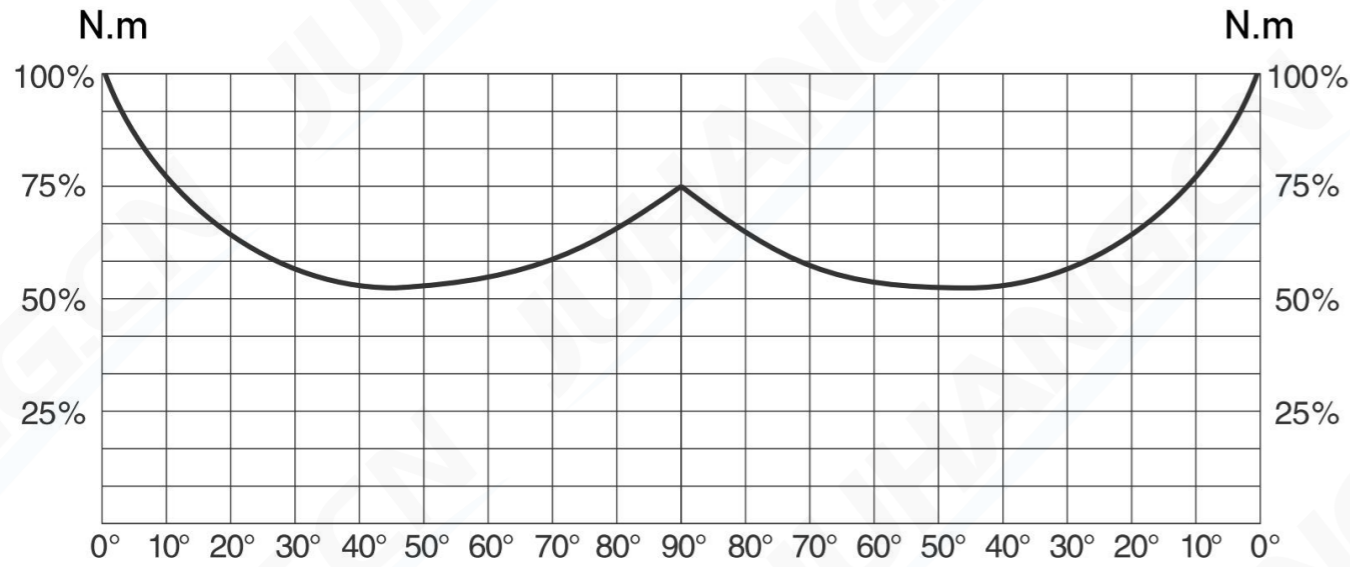
Stainless Steel



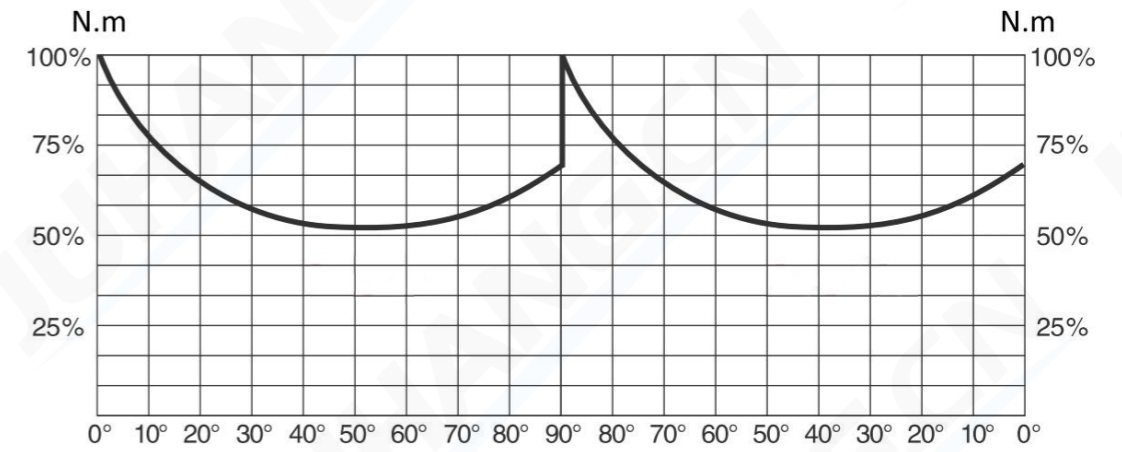
JUHANG



OUTPUT TORQUE OF DOUBLE ACTING TYPE



OUTPUT TORQUE OF SINGLE ACTING TYPE



OUTPUT TORQUE FOR AIR,N.m																					
MODEL	3bar			4bar			5bar			5.6bar			6bar			7bar			8bar		
	0°	49°	90°	0°	49°	90°	0°	49°	90°	0°	49°	90°	0°	49°	90°	0°	49°	90°	0°	49°	90°
JHD2CSF08YDA	15	8	12	20	10	16	25	13	20	28	14	22	30	15	24	35	18	28	40	20	32
JHD2CSF12YDA	43	21	34	57	28	46	71	35	57	78	39	63	85	42	68	99	50	80	113	57	91
JHD2CSF14YDA	87	44	70	116	58	94	146	73	117	160	80	129	175	86	140	204	102	164	233	117	187
JHD2CSF16YDA	140	76	119	187	101	158	233	126	198	257	139	218	280	149	238	327	176	277	373	202	317
JHD2CSF18YDA	204	110	180	272	147	239	340	184	299	374	202	329	408	216	359	476	257	419	544	294	479
JHD2CSF20YDA	276	152	244	367	204	325	459	253	406	505	278	447	551	298	488	643	354	569	735	404	650
JHD2CSF25YDA	521	277	425	695	369	567	869	461	709	956	508	780	1066	555	870	1216	646	992	1391	738	1135
JHD2CSF28YDA	701	365	581	936	486	775	1170	608	969	1286	669	1066	1404	730	1163	1637	851	1356	1871	973	1550
JHD2CSF32YDA	1062	541	859	1415	722	1146	1769	902	1432	1947	993	1576	2123	1083	1719	2477	1264	2005	2831	1444	2292
JHD2CSF36YDA	1462	774	1093	1949	1032	1457	2436	1290	1822	2681	1419	2004	2924	1548	2186	3411	1806	2551	3898	2064	2915
JHD2CSF44YDA	2703	1403	2168	3604	1870	2890	4505	2338	3613	4956	2571	3974	5406	2805	4335	6307	3273	4293	7208	3740	5780
JHD2CSF52YDA	5333	2796	4051	7111	3728	5402	8889	4660	6752	9778	5126	7427	10667	5592	8103	12444	6524	9453	14222	7456	10803

OUTPUT TORQUE FOR AIR TO SPRING ,N.m																												
MODEL	TYPE	SPRING			2.5bar			3bar			4bar			5bar			5.6bar			6bar			7bar			8bar		
		0°	49°	90°	0°	49°	90°	0°	49°	90°	0°	49°	90°	0°	49°	90°	0°	49°	90°	0°	49°	90°	0°	49°	90°			
JHD2CSF12YS	1	14	10	19	19	8	10	26	12	15	38	19	26															
	2	18	13	25				22	9	10	34	16	21	47	23	32												
	3	22	16	31							30	13	15	43	20	26	49	23	32									
	4	25	18	34										41	18	23	47	22	29	53	25	34						
	5	29	21	40												43	19	23	50	22	29	62	29	40				
	6	36	26	50													43	18	20	56	25	31	69	32	42			
JHD2CSF14YS	1	26	18	36	38	16	19	50	23	30	74	36	51															
	2	34	24	47				43	18	19	67	31	41	91	44	62												
	3	42	30	59							60	26	30	84	39	51	96	45	62									
	4	47	34	65										80	36	45	92	42	56	104	49	66						
	5	55	39	77												85	37	45	97	44	56	121	57	77				
	6	68	49	95													85	35	39	110	49	60	134	62	82			
JHD2CSF16YS	1	42	29	56	60	27	33	80	37	50	119	59	84															
	2	57	39	74				67	29	33	106	50	68	146	71	102												
	3	71	49	92							93	41	51	133	63	85	152	73	103									
	4	78	54	103										127	58	76	146	69	93	166	79	110						
	5	92	63	120												133	60	76	156	71	98	192	92	128				
	6	114	78	149														134	57	67	173	79	101	213	100	135		
JHD2CSF18YS	1	68	48	91	85	36	42	114	52	68	173	84	119															
	2	87	61	117				98	40	44	156	72	95	215	104	146												
	3	105	74	142							140	60	71	198	92	122	228	108	148									
	4	121	85	162										184	82	104	213	98	129	243	114	155						
	5	140	98	188												197	86	105	226	102	131	285	134	182				
	6	174	122	234														195	80	88	254	112	139	313	144	190		





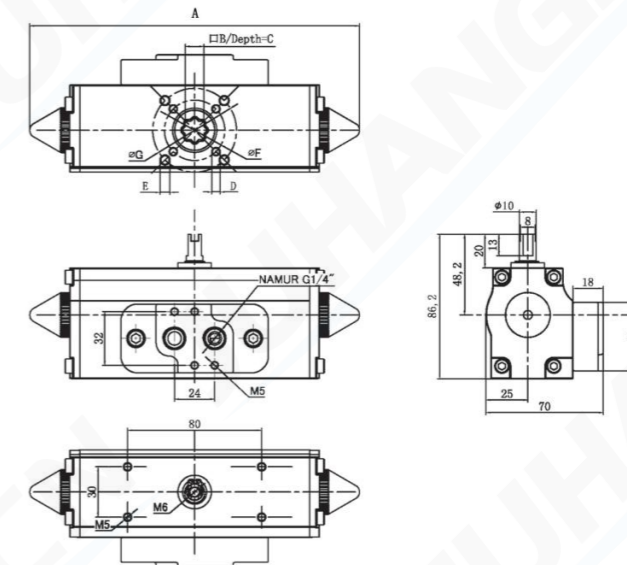
OUTPUT TORQUE OF SINGLE ACTING TYPE

OUTPUT TORQUE FOR AIR TO SPRING ,N.m																																		
MODEL	TYPE	SPRING			2.5bar			3bar			4bar			5bar			5.6bar			6bar			7bar			8bar								
		0°	49°	90°	0°	49°	90°	0°	49°	90°	0°	49°	90°	0°	49°	90°	0°	49°	90°	0°	49°	90°	0°	49°	90°	0°	49°	90°						
JHD2CSF20YS	1	92	64	122	132	59	74	176	82	111	262	129	187																					
	2	122	85	162				149	63	74	235	110	149	321	157	225																		
	3	152	106	202							208	91	112	294	138	187	337	162	225															
	4	168	117	223									280	128	167	323	151	205	366	175	243													
	5	198	137	263												296	132	168	339	156	205	425	203	281										
	6	244	169	324													297	127	148	383	174	233	470	220	299									
JHD2CSF25YS	1	158	109	209	227	101	126	301	141	190	448	221	319																					
	2	208	144	275				256	109	129	403	190	257	551	270	386																		
	3	257	178	341							358	158	195	506	238	324	580	278	389															
	4	286	199	379									480	220	288	554	260	352	627	300	417													
	5	336	233	445												509	229	291	583	269	355	730	349	484										
	6	415	288	550													511	219	257	659	299	386	807	379	515									
JHD2CSF28YS	1	214	148	281	298	132	165	397	186	251	594	293	423																					
	2	275	190	362				342	147	176	538	254	347	735	361	519																		
	3	337	232	442							483	216	272	680	323	443	778	376	529															
	4	383	264	502									638	294	387	737	347	473	835	401	558													
	5	444	306	583												682	309	397	780	362	483	977	469	655										
	6	551	380	723													683	295	351	880	402	523	1077	509	694									
JHD2CSF32YS	1	323	223	425	452	201	250	601	281	380	899	443	639																					
	2	408	282	536				525	228	275	822	390	535	1120	551	794																		
	3	493	340	648							746	337	431	1043	498	690	1192	579	820															
	4	569	393	749									974	450	595	1123	530	725	1271	611	854													
	5	654	452	860												1046	477	620	1195	558	750	1492	720	1010										
	6	816	563	1073													1049	456	551	1347	618	810	1644	779	1070									
JHD2CSF36YS	1	408	305	593	630	279	348	837	392	529	1252	617	891																					
	2	524	392	763				721	311	370	1137	536	732	1552	762	1094																		
	3	639	479	933							1021	456	573	1436	681	935	1643	794	1116															
	4	728	544	1060									1348	620	816	1555	733	997	1763	845	1178													
	5	843	631	1230												1439	652	838	1647	764	1019	2062	990	1380										
	6	1047	783	1526													1443	622	740	1858	848	1102	2273	1073	1464									
JHD2CSF44YS	1	708	513	1035	1215	550	706	1599	759	1042	2369	1176	1712																					
	2	945	709	1383				1363	593	715	2132	1010	1386	2901	1428	2057																		
	3	1182	887	1732							1895	844	1060	2664	1262	1730	3049	1471	2066															
	4	1299	974	1901									2547	1181	1572	2932	1390	1907	3316	1599	2242													
	5	1536	1152	2249												2695	1224	1580	3080	1433	1916	3849	1850	2587										
	6	1890	1417	2767													2725	1185	1431	3495	1603	2101	4264	2021	2772									

JHD2CSF52YS	1	1187	1046	2235	2765	1171	1351	3555	1600	2040	5136	2459	3418																						
	2	1746	1406	2865				2997	1265	1449	4578	2123	2827	6158	2981	4206																			
	3	2304	1766	3496							4019	1787	2236	5600	2646	3615	6390	3075	4304																
	4	2339	1929	3983										5565	2494	3158	6355	2923	3847	7146	3352	4536													
	5	2898	2289	4613													5797	2588	3256	6587	3017	3945	8168	3875	5324										
	6	3492	2812	5730																5993	2529	2898	7574	3388	4276	9155	4246	5654							



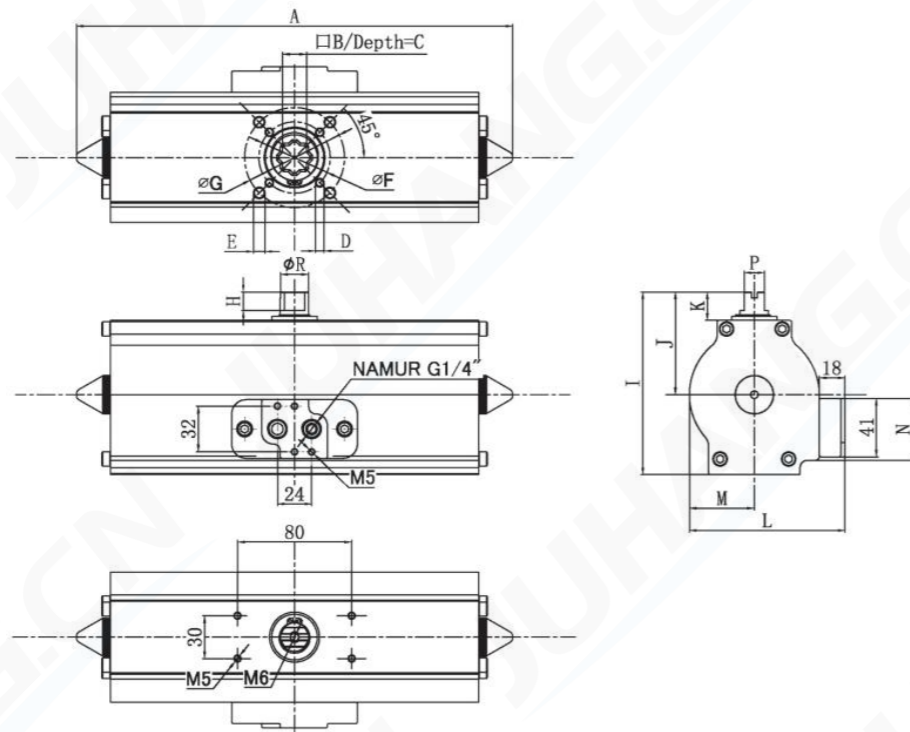
DIMENSIONS FOR JHD2CSF08YDA (mm)



MODEL	JHD2CSF08YDA
FLANGE	F03&F05
A	197
B	11
C	16
D x Depth	M5X8
E x Depth	M6X9
F	36
G	50
WEIGHT (KGS)	1.0
AIR Consumption (L/Cycle)	0.19
Closing Time (S)	0.25



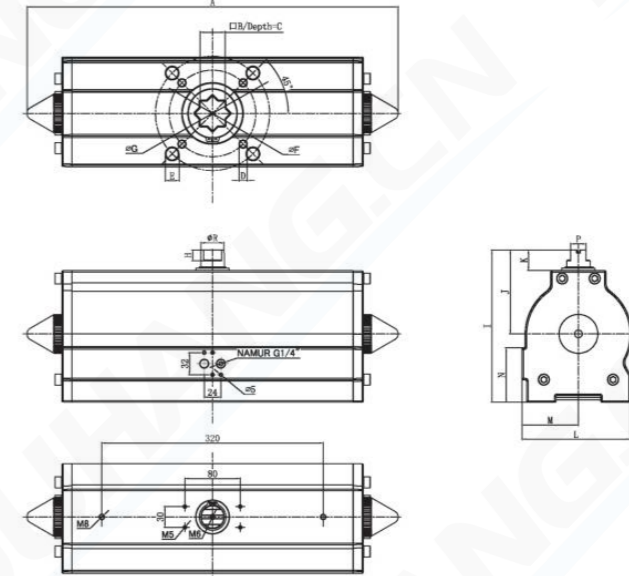
DIMENSIONS FOR JHD2CSF12YDA TO JHD2CSF25YDA (mm)



Model	JHD2CSF12YDA	JHD2CSF14YDA	JHD2CSF16YDA	JHD2CSF18YDA	JHD2CSF20YDA	JHD2CSF25YDA
FLANGE	F05&F07	F05&F07	F05&F07	F07&F10	F07&F10	F10&F12
A	225	292	326	390	410	478
B	14	17	17	17	22	27
C	16	18	22	22	26	30
D x Depth	M6x9	M6x9	M6x9	M8x12	M8x12	M10x15
E x Depth	M8x12	M8x12	M8x12	M10x15	M10x15	M12x18
F	50	50	50	70	70	102
G	70	70	70	102	102	125
H	13	13	13	13	13	15
I	97	111	128	140	149	186
J	57	65	72	76	83	106
K	20	20	20	20	20	30
M	80	96	108	121	131	156
N	31.5	40	45.5	51	57	70
P	43	46	53	54.5	59	60
R	11	13	14	14	19	22
WEIGHT (KG)	1.5	2.7	3.8	6.1	7.9	12.05
AIR consumption (L/Cycle)	0.47	0.93	1.50	2.47	3.26	5.83
Closing Time (S)	0.25	0.35	0.45	0.55	0.55	1



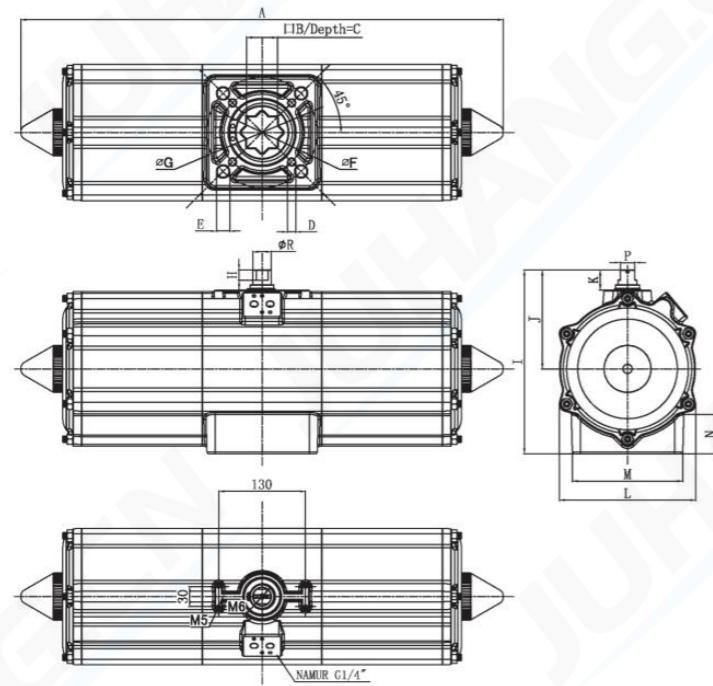
DIMENSIONS FOR JHD2CSF28YDA TO JHD2CSF32YDA (mm)



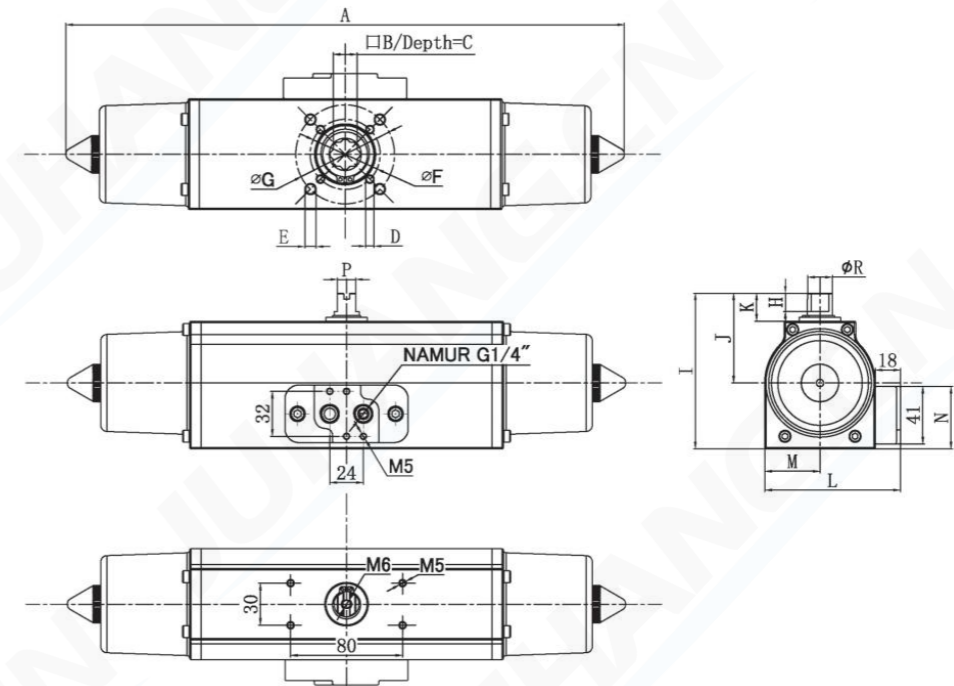
Model	JHD2CSF28YDA	JHD2CSF32YDA
Flange	F12&F16	F12&F16
A	536	577
B	36	46
C	40	46
D x Depth	M12x20	M12x20
E x Depth	M20x30	M20x30
F	125	125
G	165	165
H	15	15
I	220	242.5
J	122	129
K	30	30
L	156.5	175
M	75	85
N	79	93.5
P	22	22
R	34	34
WEIGHT (KG)	20.05	27.7
AIR consumption (L/Cycle)	7.5	11.1
Closing Time (S)	1.5	2



DIMENSIONS FOR JHD2CSF36YDA TO JHD2CSF52YDA (mm)



DIMENSIONS FOR JHD2CSF12YS TO JHD2CSF25YS (mm)



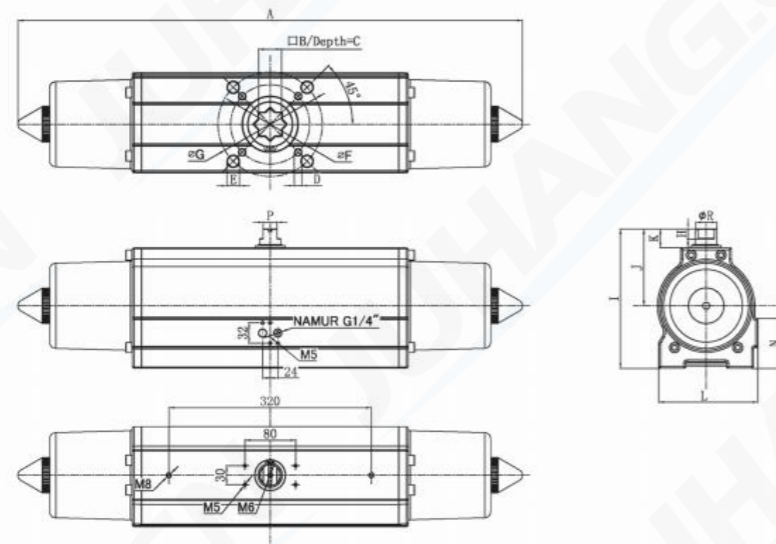
MODEL	JHD2CSF36YDA	JHD2CSF44YDA	JHD2CSF52YDA
FLANGE	F12&F16	F16	F25
A	721	860	1030
B	46	55	55
C	50	57	57
DxDepth	M12x18	M20x36	M20x36
ExDepth	M20x36	-	-
F	125	165	165
G	165	-	-
H	15	15	15
I	275	314	380
J	148	171	202
K	30	30	30
L	206	271	342
M	168	200	200
N	62	71	66
P	22	22	22
R	28	36	28
Weight (Kg)	37.45	65.5	114
Air consumption (L/cycle)	16.58	29.8	62.1
Closing Time(S)	2	2	2.5

MODEL	JHD2CSF12YS	JHD2CSF14YS	JHD2CSF16YS	JHD2CSF18YS	JHD2CSF20YS	JHD2CSF25YS
FLANGE	F05	F05	F05&F07	F07&F10	F07&F10	F10&F12
A	310	430	487	549	608	740
B	14	17	17	22	22	27
C	16	18	22	26	26	30
D x Depth	M6x9	M6x9	M6x9	M8x12	M8x12	M10x15
E x Depth	-	M8x12	M8x12	M10x15	M10x15	M12x18
F	50	50	50	70	70	102
G	-	70	70	102	102	125
H	13	13	13	13	13	15
I	97	111	128	140	149	186
J	57	65	72	76	83	106
K	20	20	20	20	20	30
L	80	96	108	121	131	156
M	31.5	40	45.5	51	57	70
N	43	46	53	54.5	59	60
P	11	13	14	14	19	22
R	14	18	20	20	26	30
Weight (Kg)	2.1	4.1	5.9	8.9	12.3	20.8
Air consumption (L/cycle)	0.28	0.6	0.95	1.44	1.97	3.41
Closing Time (S)	0.3	0.4	0.55	0.6	0.7	0.9





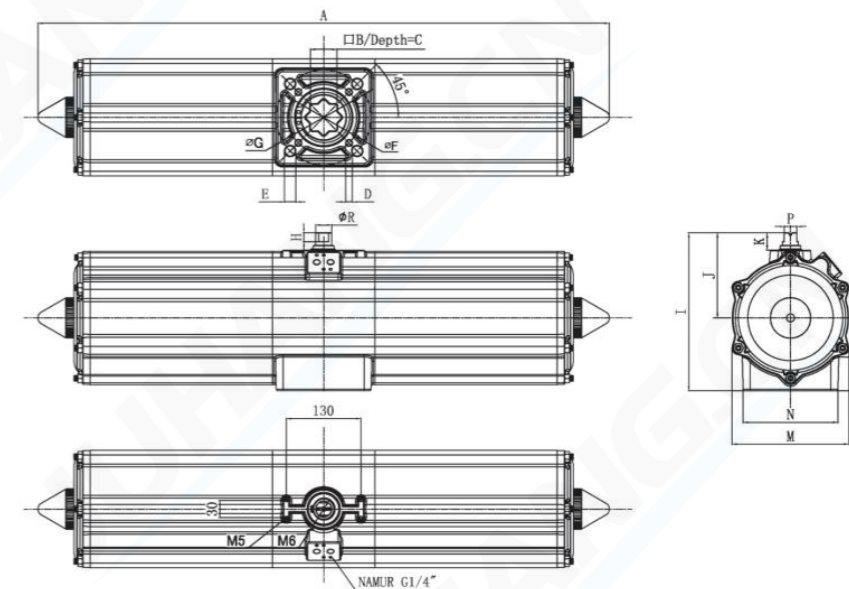
DIMENSIONS FOR JHD2CSF28YSTO JHD2CSF32YS(mm)



Model	JHD2CSF28YS	JHD2CSF32YS
Flange	F12&F16	F12&F16
A	767	928
B	36	46
C	40	46
D x Depth	M12x20	M12x20
E x Depth	M20x30	M20x30
F	125	125
G	165	165
H	15	15
I	220	242.5
J	122	129
K	30	30
L	156.5	175
M	75	85
N	79	93.5
P	22	22
R	34	34
Wight (kg)	32.1	47.6
Air consumption (L/cycle)	4.51	6.49
Closing Time(S)	1.5	1.5



DIMENSIONS FOR JHD2CSF36YS TO JHD2CSF44YS (mm)



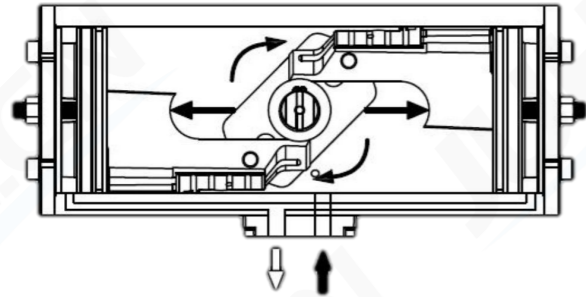
Model	JHD2CSF36YS	JHD2CSF44YS	JHD2CSF52YS
Flange	F12&F16	F16	F25
A	1015	1235	1578
B	46	55	55
C	50	57	57
D x Depth	M12x18	M20x36	M16x30
E x Depth	M20x36	-	-
F	125	165	254
G	165	-	-
H	15	15	23
I	275	314	380
J	148	171	202
K	30	30	30
L	62	71	66
M	206	271	342
N	168	206	200
P	22	22	32
R	28	36	40
Wight (kg)	60.1	108.7	211.9
Air consumption (L/cycle)	10.22	17.6	36.4
Closing Time(S)	1.5	2.5	3



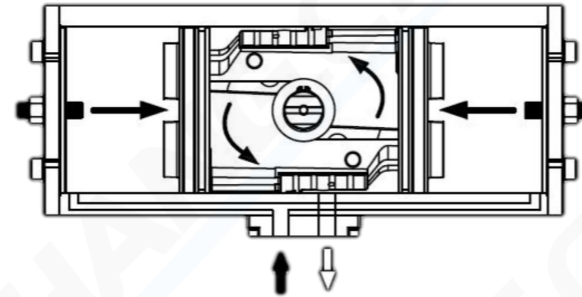


OPERATING PRINCIPLE

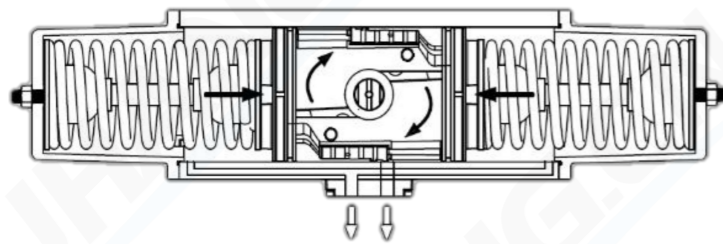
DA CLOSE



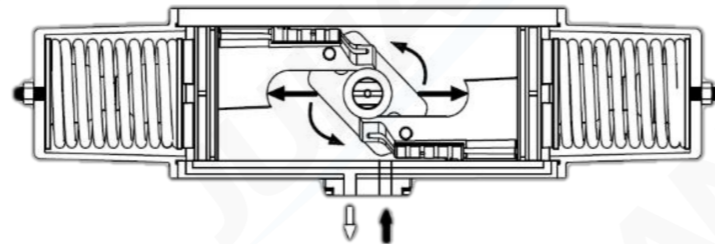
DA OPEN



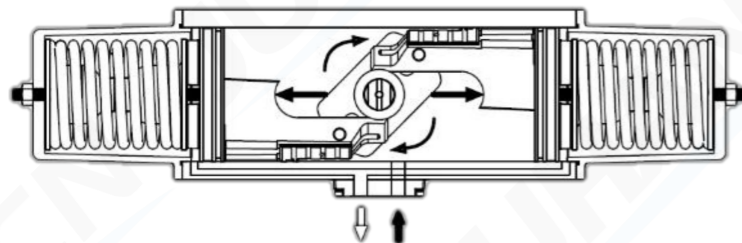
FC CLOSE



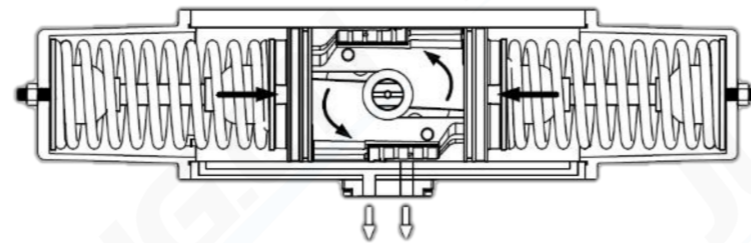
FC OPEN



FO CLOSE



FO OPEN



Compact scotch yoke actuator image

DOUBLE ACTING TYPE



SINGLE ACTING TYPE

