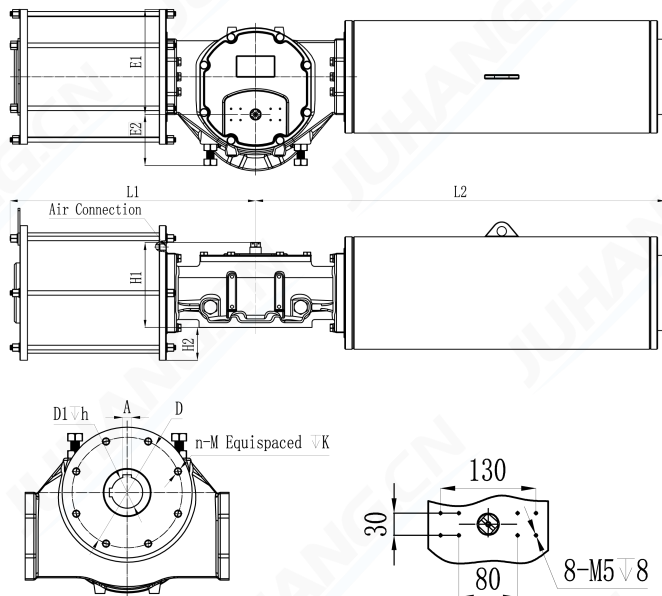


JHD2E0410YS 90° DATASHEET



Reference Parameters		
Cylinder size	250	mm
Weight		kg
Air volume	Open	L
	Close	
Cycle speed	Open	s
	Close	
Pressure rang	3 up to 8	bar(g)
Media	Clean, dry and non-corrosive compressed air	
Temperature	High	-15 up to 150
	Standard	-20 up to 80
	Low	-40 up to 80
Flange	F16	
Stroke	90±5	°

> According to EN 15714-3 & ISO 5211

>The missing data in the above table will be updated gradually.

Dimensions in mm											
Model	L1	L2	E1	H2	E2	H1	D1↓ h	A	n-M↓ K	D	Air connection
JHD2E0410YS4	580	840	239	66.5	66.5	204.5	Φ60↓ 150	18	4-M20↓ 5	165	G1/2"
JHD2E0410YS5		915									
JHD2E0410YS6		850									

OUTPUT TORQUE (Unit:N.m)

Model	Air Supply Pressure in bar(g)											
	Spring			4			5			6		
	Start	Mid	End	0°	45°	90°	0°	45°	90°	0°	45°	90°
JHD2E0410YS4	1,578	725	1,021	1,676	774	1,125	2,365	1,154	1,814	3,054	1,535	2,503
JHD2E0410YS5	2,168	943	1,218				2,157	928	1,204	2,846	1,309	1,893
JHD2E0410YS6	2,508	1,131	1,550							2,494	1,115	1,541

OUTPUT TORQUE (Unit:lbf.in)

Model	Air Supply Pressure in psi											
	Spring			60			70			90		
	Start	Mid	End	0°	45°	90°	0°	45°	90°	0°	45°	90°
JHD2E0410YS4	13,964	6,413	9,039	15,664	7,308	10,789	19,870	9,631	14,995	28,282	14,279	23,406
JHD2E0410YS5	19,188	8,348	10,778				18,028	7,630	9,591	26,440	12,277	18,003
JHD2E0410YS6	22,194	10,010	13,719							23,326	10,558	14,893

Notes:

> 1 bar(g) = 14.5038 psi ; 1 N.m = 8.8507 lbf.in

> For further information regarding options , materials , certifications and additional execution

please contact JUHANG's sales office.

> Flange and bi-square drive shall comply with ISO 5211 standard.

