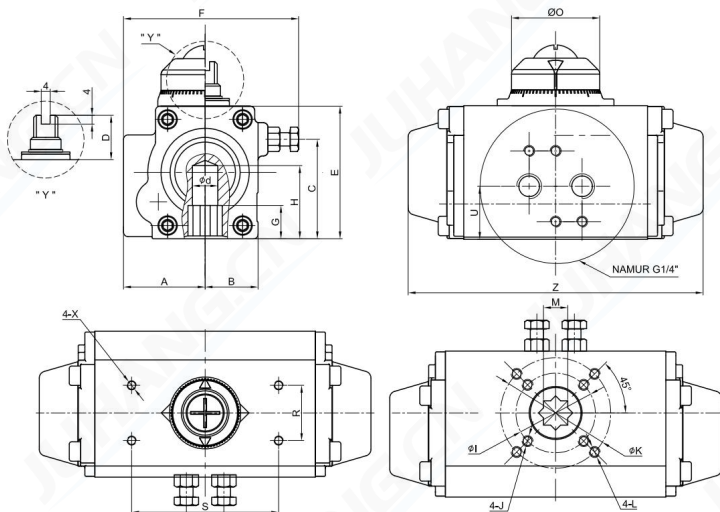


JHA0020SR 90° DATASHEET



Reference Parameters			
Cylinder size	52		mm
Weight	1.4		kg
Air volume	Open	0.12	L
	Close	-	
Cycle speed*①	Open	<1	s
	Close	<1	
Pressure rang	2 up to 8		bar(g)
Media	Clean,dry and non-corrosive compressed air		
Temperature	High	-15 up to 150	°C
	Standard	-20 up to 80	
	Low	-40 up to 80	
Flange	F03&F05		
Stroke	90±5		°

> According to EN 15714-3 & ISO 5211

>*①. Test conditions: clean air with a pressure of 6 bar,the diameter of the pipe is 8 mm,and the temperature is room temperature.

Dimensions in mm

Model	A	B	C	D	E	F	G	H	φI	J	φK	L	M	R	S	X	O	U	φd	Z	Air connection
JHA0020SR	31	42	72	20	66	81	15	33	36	M5*8	50	M6*10	11	30	80	M5*8	40	24	12	150	G1/4"

OUTPUT TORQUE (Unit:N.m)

Model	Air Supply Pressure in bar(g)																						
	Spring	2.5		3		4		4.5		5		5.5		6		7		8		Spring output			
	Type	0°	90°	0°	90°	0°	90°	0°	90°	0°	90°	0°	90°	0°	90°	0°	90°	0°	90°	Start	End		
JHA0020SR	K6	5	2.6	7	4.6	11.1	8.7														7.5	5.1	
	K8			5.3	2.1	9.4	6.2	11.4	8.2	13.4	10.2	15.4	12.2	17.4	14.2							10	6.8
	K10					7.7	3.7	9.7	5.7	11.7	7.7	13.7	9.7	15.7	11.7	19.8	15.8					12.5	8.5
	K12									10	5.2	12	7.2	14	9.2	18.1	13.3	22.1	17.3			15	10.2

OUTPUT TORQUE (Unit:lbf.in)

Model	Air Supply Pressure in psi																						
	Spring	36		44		58		65		73		80		87		102		116		Spring output			
	Type	0°	90°	0°	90°	0°	90°	0°	90°	0°	90°	0°	90°	0°	90°	0°	90°	0°	90°	Start	End		
JHA0020SR	K6	44	23	62	41	98	77															66	45
	K8			47	19	83	55	101	73	119	90	136	108	154	126							89	60
	K10					68	33	86	50	104	68	121	86	139	104	175	140					111	75
	K12									89	46	106	64	124	81	160	118	196	153			133	90

Notes:

- > 1 bar(g) = 14.5038 psi ; 1 N.m = 8.8507 lbf.in
- > For further information regarding options , materials , certifications and additional execution please contact JUHANG's sales office.
- > Flange and bi-square drive shall comply with ISO 5211 standard.
- > Solenoid valve mounting interface according to VDI/VDE 3845(NAMUR)

