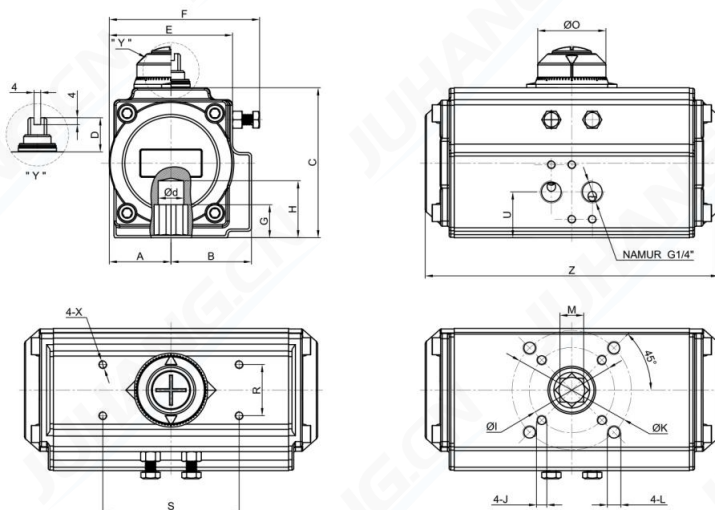


JHA0050SR 90° DATASHEET



Reference Parameters			
Cylinder size	75		mm
Weight	2.8		kg
Air volume	Open	0.29	L
	Close	-	
Cycle speed*①	Open	<1	s
	Close	<1	
Pressure rang	2 up to 8		bar(g)
Media	Clean,dry and non-corrosive compressed air		
Temperature	High	-15 up to 150	°C
	Standard	-20 up to 80	
	Low	-40 up to 80	
Flange	F05&F07		
Stroke	90±5		°

> According to EN 15714-3 & ISO 5211

>*①. Test conditions: clean air with a pressure of 6 bar,the diameter of the pipe is 8 mm,and the temperature is room temperature.

Dimensions in mm

Model	A	B	C	D	E	F	G	H	φI	J	φK	L	M	R	S	X	O	U	φd	Z	Air connection
JHA0050SR	42	53	100	20	82	94	20	33	50	M6*10	70	M18*13	14	30	80	M5*8	40	29	15	188	G1/4"

OUTPUT TORQUE (Unit:N.m)

Model	Air Supply Pressure in bar(g)												Spring output								
	Spring	2.5		3		4		4.5		5		5.5			6		7		8		
	Type	0°	90°	0°	90°	0°	90°	0°	90°	0°	90°	0°	90°	0°	90°	0°	90°	0°	90°	Start	End
JHA0050SR	K6	12.5	7.6	17.6	12.7	27.7	22.8	32.7	27.8	37.7	32.8									17.6	12.7
	K8			13.4	6.8	23.4	16.9	28.4	22.0	33.5	27.0	38.6	32.0	43.6	37.1	53.7	47.1			23.4	16.9
	K10					19.2	11.0	24.2	16.0	29.3	21.1	34.3	26.2	39.4	31.2	49.5	41.3	59.5	51.4	29.3	21.2
	K12									25.1	15.3	30.1	20.3	35.2	25.4	45.2	35.4	55.3	45.5	35.1	25.3

OUTPUT TORQUE (Unit:lbf.in)

Model	Air Supply Pressure in psi												Spring output								
	Spring	36		44		58		65		73		80			87		102		116		
	Type	0°	90°	0°	90°	0°	90°	0°	90°	0°	90°	0°	90°	0°	90°	0°	90°	0°	90°	Start	End
JHA0050SR	K6	111	67	156	112	245	202	289	246	334	290									156	112
	K8			119	60	207	150	251	195	296	239	342	283	386	328	475	417			207	150
	K10					170	97	214	142	259	187	304	232	349	276	438	366	527	455	259	188
	K12									222	135	266	180	312	225	400	313	489	403	311	224

Notes:

> 1 bar(g) = 14.5038 psi ; 1 N.m = 8.8507 lbf.in

> For further information regarding options , materials , certifications and additional execution please contact JUHANG's sales office.

> Flange and bi-square drive shall comply with ISO 5211 standard.

> Solenoid valve mounting interface according to VDI/VDE 3845(NAMUR)

