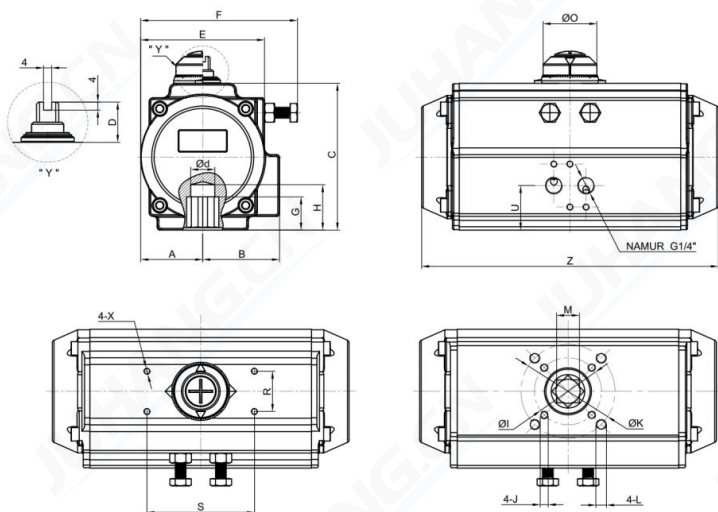


JHA0075DA 90° DATASHEET



Reference Parameters		
Cylinder size	83	mm
Weight	3.4	kg
Air volume	Open	0.42
	Close	0.65
Cycle speed*①	Open	<1
	Close	<1
Pressure rang	2 up to 8	bar(g)
Media	Clean, dry and non-corrosive compressed air	
Temperature	High	-15 up to 150
	Standard	-20 up to 80
	Low	-40 up to 80
Flange	F05&F07	
Stroke	90±5	°

> According to EN 15714-3 & ISO 5211

>\*①. Test conditions: clean air with a pressure of 6 bar, the diameter of the pipe is 8 mm, and the temperature is room temperature.

Dimensions in mm																					
Model	A	B	C	D	E	F	G	H	φI	J	φK	L	M	R	S	X	O	U	φd	Z	Air connection
JHA0075DA	46	57	109	20	92	117	24	33	50	M6*10	70	M8*13	17	30	80	M5*8	40	33	18	221	G1/4"

OUTPUT TORQUE (Unit:N.m)

Model	Air Supply Pressure in bar(g)										
	2	2.5	3	3.5	4	4.5	5	5.5	6	7	8
JHA0075DA	31	39	47	54	62	70	78	86	94	109	125

OUTPUT TORQUE (Unit:lbf.in)

Model	Air Supply Pressure in psi										
	29	36	44	51	58	65	73	80	87	102	116
JHA0075DA	274	345	416	478	549	620	690	761	832	965	1106

Notes:

> 1 bar(g) = 14.5038 psi ; 1 N.m = 8.8507 lbf.in

> For further information regarding options , materials , certifications and additional execution please contact JUHANG's sales office.

> Flange and bi-square drive shall comply with ISO 5211 standard.

> Solenoid valve mounting interface according to VDI/VDE 3845(NAMUR)

