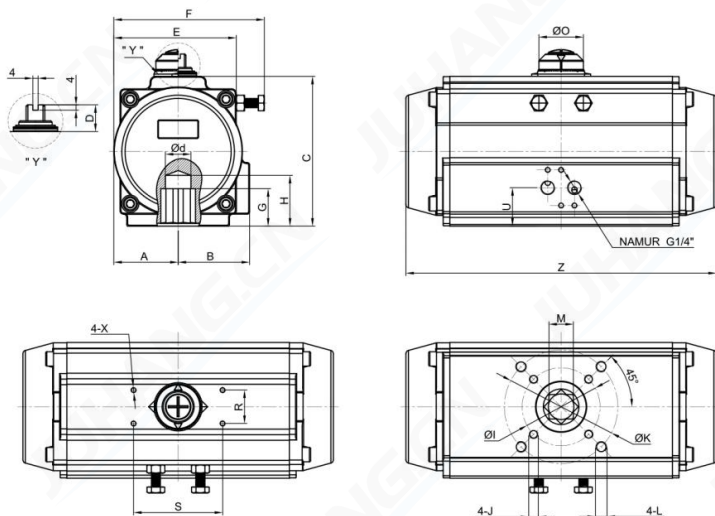


JHA0160DA 90° DATASHEET



Reference Parameters		
Cylinder size	105	mm
Weight	5.9	kg
Air volume	Open	0.92
	Close	1.35
Cycle speed*①	Open	<1
	Close	<1
Pressure rang	2 up to 8	bar(g)
Media	Clean, dry and non-corrosive compressed air	
Temperature	High	-15 up to 150
	Standard	-20 up to 80
	Low	-40 up to 80
Flange	F07&F10	
Stroke	90±5	°

> According to EN 15714-3 & ISO 5211

>*①. Test conditions: clean air with a pressure of 6 bar, the diameter of the pipe is 8 mm, and the temperature is room temperature.

Dimensions in mm																					
Model	A	B	C	D	E	F	G	H	φI	J	φK	L	M	R	S	X	O	U	φd	Z	Air connection
JHA0160DA	58	64	135	20	110	135	33	45	70	M8*13	102	M10*16	22	30	80	M5*8	40	35	23	279	G1/4"

OUTPUT TORQUE (Unit:N.m)

Model	Air Supply Pressure in bar(g)										
	2	2.5	3	3.5	4	4.5	5	5.5	6	7	8
JHA0160DA	67	83	100	116	133	150	166	183	200	233	266

OUTPUT TORQUE (Unit:lbf.in)

Model	Air Supply Pressure in psi										
	29	36	44	51	58	65	73	80	87	102	116
JHA0160DA	593	735	885	1027	1177	1328	1469	1620	1770	2062	2354

Notes:

- > 1 bar(g) = 14.5038 psi ; 1 N.m = 8.8507 lbf.in
- > For further information regarding options , materials , certifications and additional execution please contact JUHANG's sales office.
- > Flange and bi-square drive shall comply with ISO 5211 standard.
- > Solenoid valve mounting interface according to VDI/VDE 3845(NAMUR)

