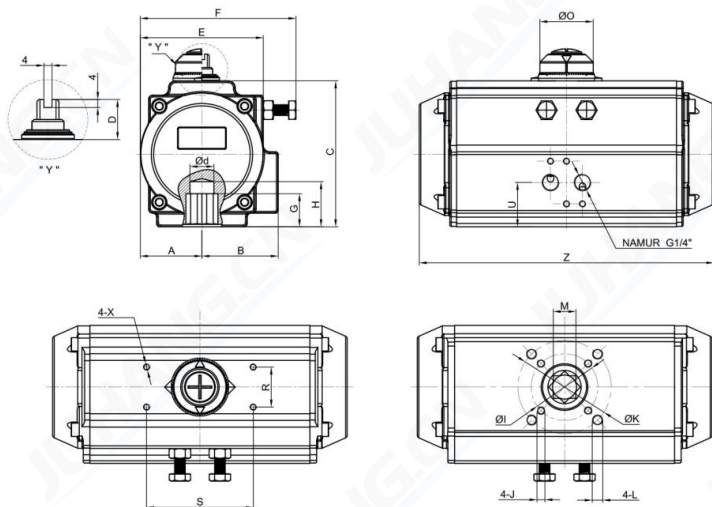


JHA0160SR 90° DATASHEET



Reference Parameters			
Cylinder size	105		mm
Weight	5.9		kg
Air volume	Open	0.92	L
	Close	-	
Cycle speed*①	Open	<1	s
	Close	<1	
Pressure rang	2 up to 8		bar(g)
Media	Clean,dry and non-corrosive compressed air		
Temperature	High	-15 up to 150	°C
	Standard	-20 up to 80	
	Low	-40 up to 80	
Flange	F07&F10		
Stroke	90±5		°

> According to EN 15714-3 & ISO 5211

>*①. Test conditions: clean air with a pressure of 6 bar,the diameter of the pipe is 8 mm,and the temperature is room temperature.

Dimensions in mm

Model	A	B	C	D	E	F	G	H	φI	J	φK	L	M	R	S	X	O	U	φd	Z	Air connection
JHA0160SR	58	64	135	20	110	135	33	45	70	M8*13	102	M10*16	22	30	80	M5*8	40	35	23	279	G1/4"

OUTPUT TORQUE (Unit:N.m)

Model	Spring Type	Air Supply Pressure in bar(g)																		Spring output		
		2.5		3		4		4.5		5		5.5		6		7		8		Start	End	
		0°	90°	0°	90°	0°	90°	0°	90°	0°	90°	0°	90°	0°	90°	0°	90°	0°	90°			
JHA0160SR	K6	44.0	23.0	61.0	39.0	94.0	72.0	110.5	88.5	127	105										60.0	38.0
	K8			48.0	19.0	81.0	52.0	97.5	68.5	114	85.0	130	101	147	118	180	151				80.0	51.0
	K10					68.0	32.0	84.5	48.5	101	65.0	118	81.0	134	98.0	167	131	200	164	100	100	63.0
	K12										89.0	45.0	105	62.0	122	78.0	155	111	187	144	120	76.0

OUTPUT TORQUE (Unit:lbf.in)

Model	Spring Type	Air Supply Pressure in psi																		Spring output		
		36		44		58		65		73		80		87		102		116		Start	End	
		0°	90°	0°	90°	0°	90°	0°	90°	0°	90°	0°	90°	0°	90°	0°	90°	0°	90°			
JHA0160SR	K6	389	204	540	345	832	637	978	783	1124	929										531	336
	K8			425	168	717	460	863	606	1009	752	1151	894	1301	1044	1593	1336				708	451
	K10					602	283	748	429	894	575	1044	717	1186	867	1478	1159	1770	1452	885	558	
	K12										788	398	929	549	1080	690	1372	982	1655	1275	1062	673

Notes:

> 1 bar(g) = 14.5038 psi ; 1 N.m = 8.8507 lbf.in

> For further information regarding options , materials , certifications and additional execution please contact JUHANG's sales office.

> Flange and bi-square drive shall comply with ISO 5211 standard.

> Solenoid valve mounting interface according to VDI/VDE 3845(NAMUR)

