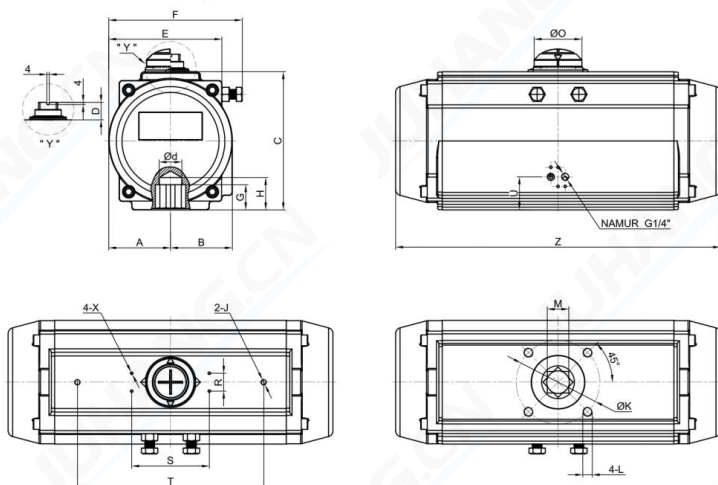


JHA1000DA 90° DATASHEET



Reference Parameters		
Cylinder size	190	mm
Weight	36	kg
Air volume	Open	5.9
	Close	8.36
Cycle speed*①	Open	<2
	Close	<2
Pressure rang	2 up to 8	bar(g)
Media	Clean, dry and non-corrosive compressed air	
Temperature	High	-15 up to 150
	Standard	-20 up to 80
	Low	-40 up to 80
Flange	F14	
Stroke	90±5	°

> According to EN 15714-3 & ISO 5211

>*①. Test conditions: clean air with a pressure of 6 bar, the diameter of

the pipe is 10 mm, and the temperature is room temperature.

Dimensions in mm																					
Model	A	B	C	D	E	F	G	H	J	φK	L	M	R	S	T	O	U	φd	Z	X	Air connection
JHA1000DA	104	104	231	30	190	224	41	53	M10*12	140	M16*25	36	30	130	312	80	55	38	544	M5*8	G1/4"

OUTPUT TORQUE (Unit:N.m)

Model	Air Supply Pressure in bar(g)										
	2	2.5	3	3.5	4	4.5	5	5.5	6	7	8
JHA1000DA	427	533	640	747	854	960	1067	1174	1280	1494	1707

OUTPUT TORQUE (Unit:lbf.in)

Model	Air Supply Pressure in psi										
	29	36	44	51	58	65	73	80	87	102	116
JHA1000DA	3779	4717	5664	6611	7558	8497	9444	10391	11329	13223	15108

Notes:

> 1 bar(g) = 14.5038 psi ; 1 N.m = 8.8507 lbf.in

> For further information regarding options , materials , certifications and additional execution

please contact JUHANG's sales office.

> Flange and bi-square drive shall comply with ISO 5211 standard.

> Solenoid valve mounting interface according to VDI/VDE 3845(NAMUR)

