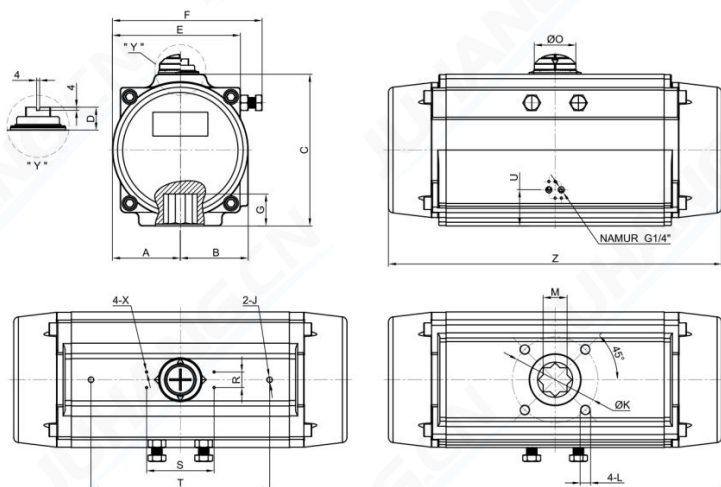


JHA1800DA 90° DATASHEET



Reference Parameters		
Cylinder size	240	mm
Weight	54	kg
Air volume	Open	10.7
	Close	17.44
Cycle speed*①	Open	<4
	Close	<4
Pressure rang	2 up to 8	bar(g)
Media	Clean, dry and non-corrosive compressed air	
Temperature	High	-15 up to 150
	Standard	-20 up to 80
	Low	-40 up to 80
Flange	F16	
Stroke	90±5	°

> According to EN 15714-3 & ISO 5211

>*①. Test conditions: clean air with a pressure of 6 bar, the diameter of the pipe is 10 mm, and the temperature is room temperature.

Dimensions in mm																			
Model	A	B	C	D	E	F	G	J	φK	L	M	R	S	T	O	U	Z	X	Air connection
JHA1800DA	131	131	292	30	246	288	61	M12*15	165	M20*25	46	30	130	344	80	70	642	M5*8	G1/4"

OUTPUT TORQUE (Unit:N.m)

Model	Air Supply Pressure in bar(g)										
	2	2.5	3	3.5	4	4.5	5	5.5	6	7	8
JHA1800DA	774	968	1161	1354	1548	1742	1935	2129	2322	2709	3096

OUTPUT TORQUE (Unit:lbf.in)

Model	Air Supply Pressure in psi										
	29	36	44	51	58	65	73	80	87	102	116
JHA1800DA	6850	8567	10276	11984	13701	15418	17126	18843	20551	23977	27402

Notes:

> 1 bar(g) = 14.5038 psi ; 1 N.m = 8.8507 lbf.in

> For further information regarding options , materials , certifications and additional execution please contact JUHANG's sales office.

> Flange and bi-square drive shall comply with ISO 5211 standard.

> Solenoid valve mounting interface according to VDI/VDE 3845(NAMUR)

