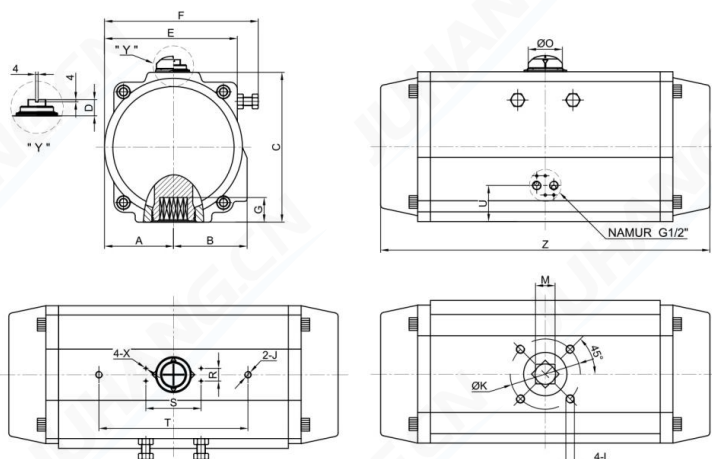


JHA3800DA 90° DATASHEET



Reference Parameters		
Cylinder size	300	mm
Weight	99	kg
Air volume	Open	23.5
	Close	28
Cycle speed*①	Open	<5
	Close	<5
Pressure rang	2 up to 8	bar(g)
Media	Clean,dry and non-corrosive compressed air	
Temperature	High	-15 up to 150
	Standard	-20 up to 80
	Low	-40 up to 80
Flange	F16	
Stroke	90±5	°

> According to EN 15714-3 & ISO 5211

>*①. Test conditions: clean air with a pressure of 6 bar,the diameter of the pipe is 10 mm,and the temperature is room temperature.

Dimensions in mm																			
Model	A	B	C	D	E	F	G	J	φK	L	M	R	S	T	O	U	Z	X	Air connection
JHA3800DA	162	173	352	30	312	361	58	M16*15	165	M20*25	46	30	130	350	80	85	774	M5*8	G1/2"

OUTPUT TORQUE (Unit:N.m)

Model	Air Supply Pressure in bar(g)										
	2	2.5	3	3.5	4	4.5	5	5.5	6	7	8
JHA3800DA	1545	1932	2318	2704	3091	3477	3863	4250	4636	5409	6181

OUTPUT TORQUE (Unit:lbf.in)

Model	Air Supply Pressure in psi										
	29	36	44	51	58	65	73	80	87	102	116
JHA3800DA	13674	17100	20516	23932	27358	30774	34190	37615	41032	47873	54706

Notes:

> 1 bar(g) = 14.5038 psi ; 1 N.m = 8.8507 lbf.in

> For further information regarding options , materials , certifications and additional execution please contact JUHANG's sales office.

> Flange and bi-square drive shall comply with ISO 5211 standard.

> Solenoid valve mounting interface according to VDI/VDE 3845(NAMUR)

