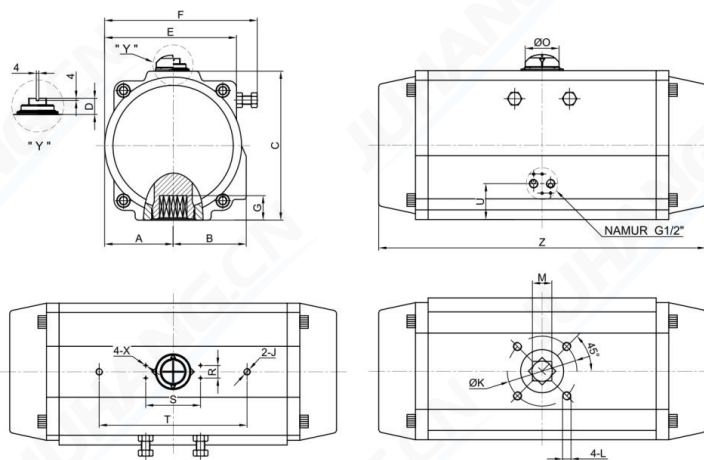


JHA3800SR 90° DATASHEET



Reference Parameters		
Cylinder size	300 mm	
Weight	122 kg	
Air volume	Open	23.5 L
	Close	-
Cycle speed*①	Open	<6 s
	Close	<8
Pressure rang	2 up to 8 bar(g)	
Media	Clean,dry and non-corrosive compressed air	
Temperature	High	-15 up to 150 °C
	Standard	-20 up to 80
	Low	-40 up to 80
Flange	F16	
Stroke	90±5 °	

> According to EN 15714-3 & ISO 5211

>*①. Test conditions: clean air with a pressure of 6 bar,the diameter of the pipe is10 mm,and the temperature is room temperature.

Dimensions in mm

Model	A	B	C	D	E	F	G	J	φK	L	M	R	S	T	O	U	Z	X	Air connection
JHA3800SR	162	173	352	30	312	361	58	M16*15	165	M20*25	46	30	130	350	80	85	774	M5*8	G1/2"

OUTPUT TORQUE (Unit:N.m)

Model	Air Supply Pressure in bar(g)																	Spring output			
	Spring	2.5		3		4		4.5		5		5.5		6		7		8		Start	End
	Type	0°	90°	0°	90°	0°	90°	0°	90°	0°	90°	0°	90°	0°	90°	0°	90°	0°	90°		
JHA3800SR	K6	987	560	1374	946	2147	1719	2533	2105	2919	2491									1372	944
	K8			1059	489	1832	1261	2218	1648	2604	2034	2991	2420	3377	2807	4150	3579			1829	1259
	K10					1517	804	1904	1191	2290	1577	2676	1963	3062	2349	3835	3122	4608	3895	2287	1574
	K12									1975	1119	2361	1506	2748	1892	3520	2665	4293	3437	2744	1888

OUTPUT TORQUE (Unit:lbf.in)

Model	Air Supply Pressure in psi																	Spring output			
	Spring	36		44		58		65		73		80		87		102		116		Start	End
	Type	0°	90°	0°	90°	0°	90°	0°	90°	0°	90°	0°	90°	0°	90°	0°	90°	0°	90°		
JHA3800SR	K6	8736	4956	12161	8373	19002	15214	22419	18631	25835	22047									12143	8355
	K8			9373	4328	16214	11161	19631	14586	23047	18002	26472	21419	29889	24844	36730	31677			16188	11143
	K10					13427	7116	16852	10541	20268	13958	23684	17374	27101	20790	33942	27632	40784	34473	20242	13931
	K12									17480	9904	20897	13329	24322	16746	31154	23587	37996	30420	24286	16710

Notes:

> 1 bar(g) = 14.5038 psi ; 1 N.m = 8.8507 lbf.in

> For further information regarding options , materials , certifications and additional execution please contact JUHANG's sales office.

> Flange and bi-square drive shall comply with ISO 5211 standard.

> Solenoid valve mounting interface according to VDI/VDE 3845(NAMUR)

