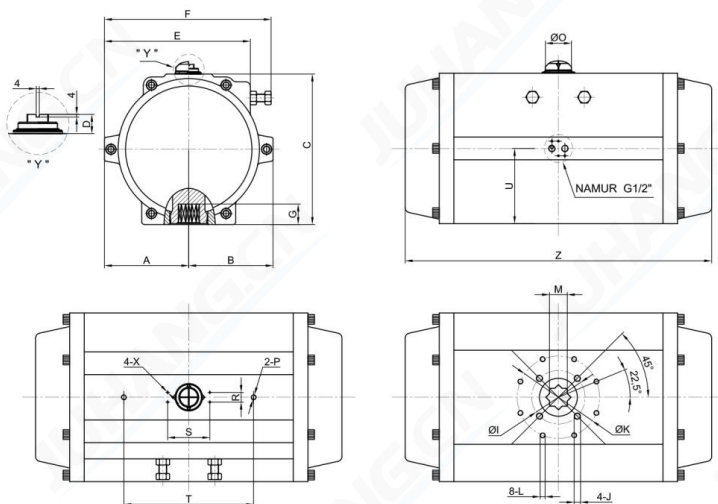


JHA8000DA 90° DATASHEET



Reference Parameters		
Cylinder size	400	mm
Weight	212	kg
Air volume	Open	52.2
	Close	56
Cycle speed*①	Open	<18
	Close	<18
Pressure rang	2 up to 8	bar(g)
Media	Clean, dry and non-corrosive compressed air	
Temperature	High	-15 up to 150
	Standard	-20 up to 80
	Low	-40 up to 80
Flange	F16/F25	
Stroke	90±5	°

> According to EN 15714-3 & ISO 5211

>*①. Test conditions: clean air with a pressure of 6 bar, the diameter of the pipe is 10 mm, and the temperature is room temperature.

Dimensions in mm																					
Model	A	B	C	D	E	F	G	U	ΦK	L	M	R	S	T	O	J	ΦI	P	Z	X	Air connection
JHA8000DA	260	260	464	30	450	514	62	232	254	M16*25	55	30	130	400	80	M20*25	165	M16*20	945	G1/2"	G1/2"

OUTPUT TORQUE (Unit:N.m)

Model	Air Supply Pressure in bar(g)										
	2	2.5	3	3.5	4	4.5	5	5.5	6	7	8
JHA8000DA	3297	4121	4945	5769	6594	7418	8242	9066	9890	11539	13187

OUTPUT TORQUE (Unit:lbf.in)

Model	Air Supply Pressure in psi										
	29	36	44	51	58	65	73	80	87	102	116
JHA8000DA	29181	36474	43767	51060	58362	65654	72947	80240	87533	102128	116714

Notes:

- > 1 bar(g) = 14.5038 psi ; 1 N.m = 8.8507 lbf.in
- > For further information regarding options , materials , certifications and additional execution please contact JUHANG's sales office.
- > Flange and bi-square drive shall comply with ISO 5211 standard.
- > Solenoid valve mounting interface according to VDI/VDE 3845(NAMUR)

