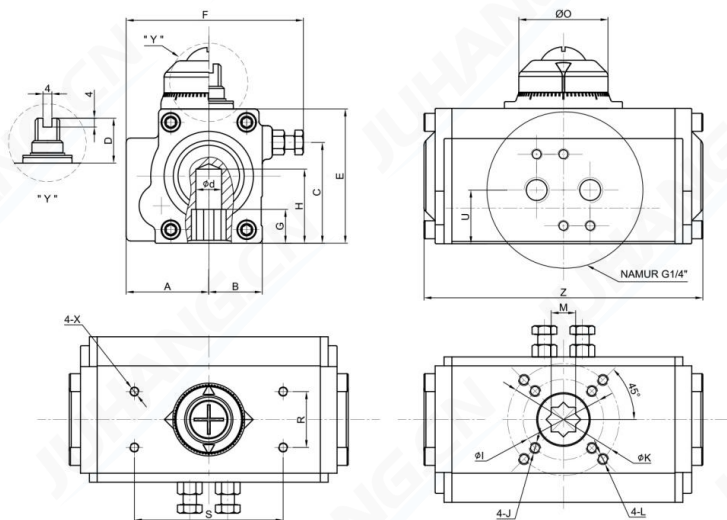


JHA0012DA 90° DATASHEET



Reference Parameters		
Cylinder size	40	mm
Weight	1	kg
Air volume	Open	0.07
	Close	0.08
Cycle speed*①	Open	<1
	Close	<1
Pressure rang	2 up to 8	bar(g)
Media	Clean, dry and non-corrosive compressed air	
Temperature	High	-15 up to 150
	Standard	-20 up to 80
	Low	-40 up to 80
Flange	F03&F05	
Stroke	90±5	°

> According to EN 15714-3 & ISO 5211

>*①. Test conditions: clean air with a pressure of 6 bar, the diameter of the pipe is 8mm, and the temperature is room temperature.

Dimensions in mm																					
Model	A	B	C	D	E	F	G	H	φI	J	φK	L	M	R	S	X	O	U	φd	Z	Air connection
JHA0012DA	37	24	45	20	60	79	15	33	36	M5*8	50	M6*10	11	30	80	M5*8	40	24	12	125	G1/4"

OUTPUT TORQUE (Unit:N.m)

Model	Air Supply Pressure in bar(g)										
	2	2.5	3	3.5	4	4.5	5	5.5	6	7	8
JHA0012DA	5	6	7	8.5	10	11	12	13	14	17	19

OUTPUT TORQUE (Unit:lbf.in)

Model	Air Supply Pressure in psi										
	29	36	44	51	58	65	73	80	87	102	116
JHA0012DA	44	53	62	75	89	97	106	115	124	150	168

Notes:

> 1 bar(g) = 14.5038 psi ; 1 N.m = 8.8507 lbf.in

> For further information regarding options , materials , certifications and additional execution please contact JUHANG's sales office.

> Flange and bi-square drive shall comply with ISO 5211 standard.

> Solenoid valve mounting interface according to VDI/VDE 3845(NAMUR)

