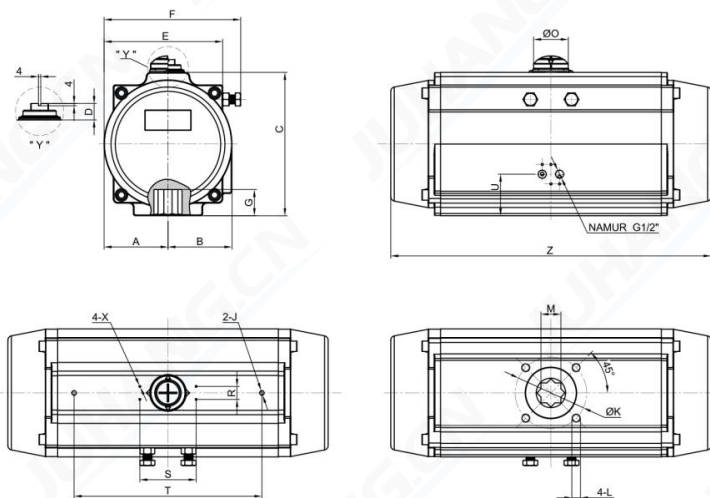


JHA2700DA 90° DATASHEET



Reference Parameters		
Cylinder size	270	mm
Weight	79	kg
Air volume	Open	15.9
	Close	25.6
Cycle speed*①	Open	<4
	Close	<4
Pressure rang	2 up to 8	bar(g)
Media	Clean,dry and non-corrosive compressed air	
Temperature	High	-15 up to 150
	Standard	-20 up to 80
	Low	-40 up to 80
Flange	F16	
Stroke	90±5	°

> According to EN 15714-3 & ISO 5211

>*①. Test conditions: clean air with a pressure of 6 bar,the diameter of the pipe is 10 mm,and the temperature is room temperature.

Dimensions in mm																			
Model	A	B	C	D	E	F	G	J	φK	L	M	R	S	T	O	U	Z	X	Air connection
JHA2700DA	148	148	331	30	274	316	60	M12*15	165	M20*25	46	30	130	434	80	96	740	M5*8	G1/2"

OUTPUT TORQUE (Unit:N.m)

Model	Air Supply Pressure in bar(g)										
	2	2.5	3	3.5	4	4.5	5	5.5	6	7	8
JHA2700DA	1176	1470	1763	2057	2351	2645	2939	3233	3527	4115	4703

OUTPUT TORQUE (Unit:lbf.in)

Model	Air Supply Pressure in psi										
	29	36	44	51	58	65	73	80	87	102	116
JHA2700DA	10408	13011	15604	18206	20808	23410	26012	28614	31216	36421	41625

Notes:

- > 1 bar(g) = 14.5038 psi ; 1 N.m = 8.8507 lbf.in
- > For further information regarding options , materials , certifications and additional execution please contact JUHANG's sales office.
- > Flange and bi-square drive shall comply with ISO 5211 standard.
- > Solenoid valve mounting interface according to VDI/VDE 3845(NAMUR)

