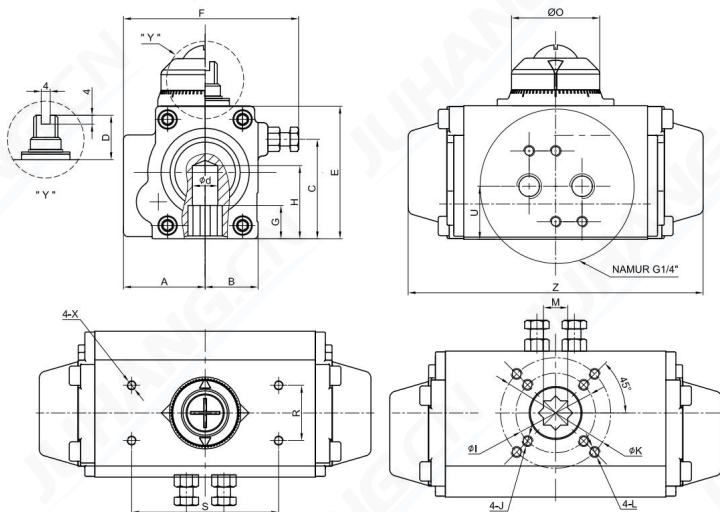


JHA0012SR 90° DATASHEET



Reference Parameters		
Cylinder size	40	mm
Weight	1	kg
Air volume	Open	0.07
	Close	-
Cycle speed*①	Open	<1
	Close	<1
Pressure rang	2 up to 8	bar(g)
Media	Clean,dry and non-corrosive compressed air	
Temperature	High	-15 up to 150
	Standard	-20 up to 80
	Low	-40 up to 80
Flange	F03&F05	
Stroke	90±5	°

> According to EN 15714-3 & ISO 5211

>*①. Test conditions: clean air with a pressure of 6 bar,the diameter of the pipe is 7 mm,and the temperature is room temperature.

Dimensions in mm																					
Model	A	B	C	D	E	F	G	H	φI	J	φK	L	M	R	S	X	O	U	φd	Z	Air connection
JHA0012SR	37	24	45	20	60	79	15	33	36	M5*8	50	M6*10	11	30	80	M5*8	40	24	12	150	G1/4"

OUTPUT TORQUE (Unit:N.m)

Model	Air Supply Pressure in bar(g)																
	Spring	4		4.5		5		5.5		6		7		8		Spring output	
	Type	0°	90°	0°	90°	0°	90°	0°	90°	0°	90°	0°	90°	0°	90°	Start	End
JHA0012SR	K2	4.6	2.5	5.7	3.7	6.9	4.9	8.1	6.1	9.3	7.3	11.7	9.7	14.1	12.1	7.0	5.0

OUTPUT TORQUE (Unit:lbf.in)

Model	Air Supply Pressure in psi																
	Spring	58		65		73		80		87		102		116		Spring output	
	Type	0°	90°	0°	90°	0°	90°	0°	90°	0°	90°	0°	90°	0°	90°	Start	End
JHA0012SR	K2	41	22	50	33	61	43	72	54	82	65	104	86	125	107	62	44

Notes:

> 1 bar(g) = 14.5038 psi ; 1 N.m = 8.8507 lbf.in

> For further information regarding options , materials , certifications and additional execution please contact JUHANG's sales office.

> Flange and bi-square drive shall comply with ISO 5211 standard.

> Solenoid valve mounting interface according to VDI/VDE 3845(NAMUR)

