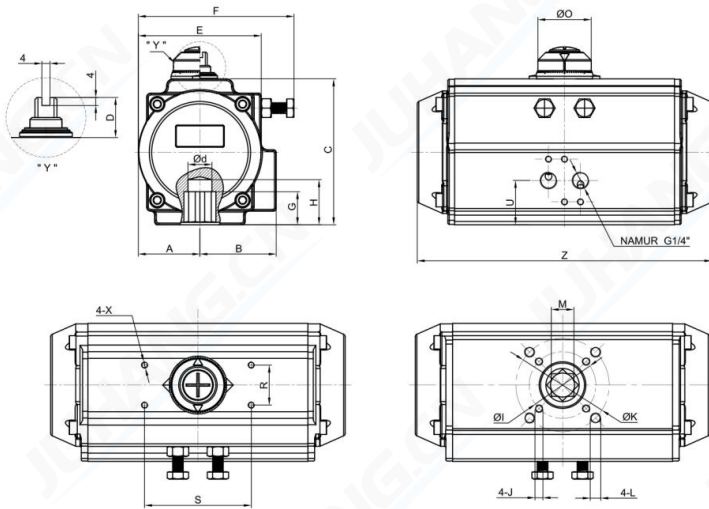


JHA0110SR 90° DATASHEET



Reference Parameters			
Cylinder size	92		mm
Weight	5.2		kg
Air volume	Open	0.68	L
	Close	-	
Cycle speed*①	Open	<1	s
	Close	<1	
Pressure rang	2 up to 8		bar(g)
Media	Clean,dry and non-corrosive compressed air		
Temperature	High	-15 up to 150	°C
	Standard	-20 up to 80	
	Low	-40 up to 80	
Flange	F05&F07		
Stroke	90±5		°

> According to EN 15714-3 & ISO 5211

>\*①. Test conditions: clean air with a pressure of 6 bar,the diameter of the pipe is 8 mm,and the temperature is room temperature.

Dimensions in mm

Model	A	B	C	D	E	F	G	H	φI	J	φK	L	M	R	S	X	O	U	φd	Z	Air connection
JHA0110SR	50	59	117	20	98	124	24	33	50	M6*10	70	M8*13	17	30	80	M5*8	40	29	18	268	G1/4"

OUTPUT TORQUE (Unit:N.m)

Model	Air Supply Pressure in bar(g)																				
	Spring Type	2.5		3		4		4.5		5		5.5		6		7		8		Spring output	
		0°	90°	0°	90°	0°	90°	0°	90°	0°	90°	0°	90°	0°	90°	0°	90°	0°	90°	Start	End
JHA0110SR	K6	28.9	15.1	40.2	26.5	63.0	49.3	74.3	60.6	85.7	72.0									41.7	28.0
	K8			30.9	12.6	53.6	35.4	65.0	46.8	76.4	58.1	87.8	69.5	99.1	80.9	121.9	103.6			55.6	37.4
	K10					44.3	21.5	55.7	32.9	67.1	44.2	78.4	55.6	89.8	67.0	112.6	89.7	135.3	112.5	69.5	46.7
	K12									57.7	30.3	69.1	41.7	80.5	53.0	103.2	75.8	126.0	98.5	83.4	56.0

OUTPUT TORQUE (Unit:lbf.in)

Model	Air Supply Pressure in psi																				
	Spring Type	36		44		58		65		73		80		87		102		116		Spring output	
		0°	90°	0°	90°	0°	90°	0°	90°	0°	90°	0°	90°	0°	90°	0°	90°	0°	90°	Start	End
JHA0110SR	K6	256	134	356	235	558	436	658	536	759	637									369	248
	K8			273	112	474	313	575	414	676	514	777	615	877	716	1079	917			492	331
	K10					392	190	493	291	594	391	694	492	795	593	997	794	1197	996	615	413
	K12									511	268	612	369	712	469	913	671	1115	872	738	496

Notes:

> 1 bar(g) = 14.5038 psi ; 1 N.m = 8.8507 lbf.in

> For further information regarding options , materials , certifications and additional execution please contact JUHANG's sales office.

> Flange and bi-square drive shall comply with ISO 5211 standard.

> Solenoid valve mounting interface according to VDI/VDE 3845(NAMUR)

