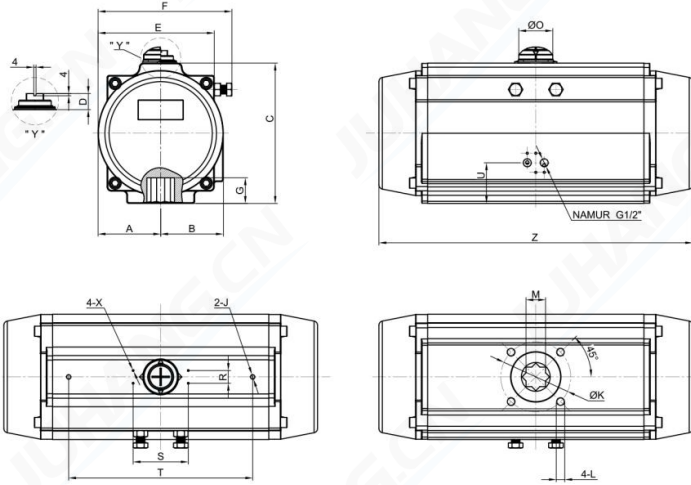


JHA2700SR 90° DATASHEET



Reference Parameters			
Cylinder size	270		mm
Weight	98		kg
Air volume	Open	15.9	L
	Close	-	
Cycle speed*①	Open	<6	s
	Close	<7	
Pressure rang	2 up to 8		bar(g)
Media	Clean,dry and non-corrosive compressed air		
Temperature	High	-15 up to 150	°C
	Standard	-20 up to 80	
	Low	-40 up to 80	
Flange	F16		
Stroke	90±5		°

> According to EN 15714-3 & ISO 5211

>\*①. Test conditions: clean air with a pressure of 6 bar,the diameter of the pipe is10 mm,and the temperature is room temperature.

Dimensions in mm

Model	A	B	C	D	E	F	G	J	φK	L	M	R	S	T	O	U	Z	X	Air connection
JHA2700SR	148	148	331	30	274	316	60	M12*15	165	M20*25	46	30	130	434	80	96	740	M5*8	G1/2"

OUTPUT TORQUE (Unit:N.m)

Model	Air Supply Pressure in bar(g)																				
	Spring Type	2.5		3		4		4.5		5		5.5		6		7		8		Spring output	
		0°	90°	0°	90°	0°	90°	0°	90°	0°	90°	0°	90°	0°	90°	0°	90°	0°	90°	Start	End
JHA2700SR	K6	739	430	1031	722	1616	1307	1909	1600	2201	1892									1032	723
	K8			790	378	1375	963	1668	1256	1960	1548	2252	1840	2545	2133	3129	2717			1376	964
	K10					1134	619	1427	912	1719	1204	2011	1496	2304	1789	2888	2373	3473	2958	1720	1205
	K12									1478	860	1770	1152	2063	1445	2647	2029	3232	2614	2064	1446

OUTPUT TORQUE (Unit:lbf.in)

Model	Air Supply Pressure in psi																				
	Spring Type	36		44		58		65		73		80		87		102		116		Spring output	
		0°	90°	0°	90°	0°	90°	0°	90°	0°	90°	0°	90°	0°	90°	0°	90°	0°	90°	Start	End
JHA2700SR	K6	6541	3806	9125	6390	14303	11568	16896	14161	19480	16746									9134	6399
	K8			6992	3346	12170	8523	14763	11116	17347	13701	19932	16285	22525	18879	27694	24047			12179	8532
	K10					10037	5479	12630	8072	15214	10656	17799	13241	20392	15834	25561	21003	30738	26180	15223	10665
	K12									13081	7612	15666	10196	18259	12789	23428	17958	28605	23136	18268	12798

Notes:

> 1 bar(g) = 14.5038 psi ; 1 N.m = 8.8507 lbf.in

> For further information regarding options , materials , certifications and additional execution please contact JUHANG's sales office.

> Flange and bi-square drive shall comply with ISO 5211 standard.

> Solenoid valve mounting interface according to VDI/VDE 3845(NAMUR)

